



Hydraulik - Pneumatik

Steffen Haupt
Moritzer Straße 35
01589 Riesa

Telefon: 03525 6801-0
Telefax: 03525 680120
info@haupt-hydraulik.de

Medium Pressure Products

4234

September 2005

KATALOG

Vertrieb:

Frau Krauspe
Frau Göhler

03525 680110
03525 680111

krauspe@haupt-hydraulik.de
goehler@haupt-hydraulik.de

Technischer Außendienst:

Herr Burkhardt

03525 680113
0173 5834091

burkhardt@haupt-hydraulik.de



Medium Pressure Products

*MPI™ Fittings, Valves, Regulators
and Hoses*

6,000 - 20,000 PSI Range

Catalog 4234

September 2005





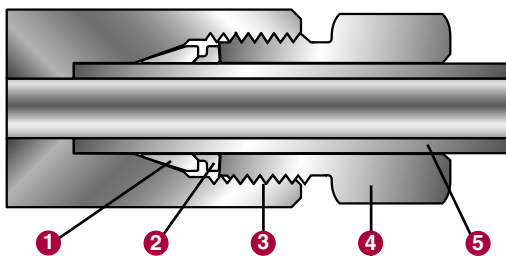
Introduction

Parker Hannifin MPI™ Fittings* are engineered and manufactured to provide secure, tight, and leak-resistant connections throughout industry, including off-shore oil and gas exploration platforms, research labs, and other facilities that require operating pressures in the range of 6,000 to 15,000 psi.

MPI™ Fittings are ideally suited to handle liquids, gases, or chemicals and can be used on a wide variety of tubing materials including cold drawn - 1/8 hard (unannealed) tubing or instrument grade thick-walled annealed stainless steel. Every Parker MPI™ Fitting is supplied complete and ready to install.

Advanced Features

Every MPI™ Fitting has the features shown below:



1. Front ferrule with corrosion-resistant Parker SUPARCASE® forms a tight pressure seal between the body and ferrule in a *second* strong mechanical hold on the tube.
2. Rear ferrule with corrosion-resistant Parker SUPARCASE® provides a strong mechanical hold on the tube.
3. Longer thread area for improved resistance to pressure and load on the ferrules.
4. Molybdenum disulfide-coated inverted nut helps prevent galling, provides easier assembly, and permits multiple remakes.
5. Long tube-support area improves resistance to vibration and line loads.

Materials and Identification

Standard MPI™ Fittings are made of Heat Code Traceable 316 stainless steel. Tubing and fitting materials should be selected based on compatibility with the fluid or gas media.

Part numbers for MPI™ Fittings use symbols that identify their style, size, and composition.

MPI™ Fittings Pressure Ratings

The maximum pressure rating is marked on each fitting. MPI™ Fittings are designed to a 4 to 1 design factor.

- Size 4 MPI™ end – to 15,000 psi
- Size 6 MPI™ end – to 15,000 psi
- Size 8 MPI™ end – to 15,000 psi
- Size 9 MPI™ end – to 15,000 psi
- Size 12 MPI™ end – to 15,000 psi
- Size 16 MPI™ end – to 12,500 psi

Assembly

MPI™ Fittings are installed with standard hand tools. Each size can be preset with a Parker hydraulic preset tool. Tube preparation does not require cutting of threads or tube end “coning”.

Dedication To Quality

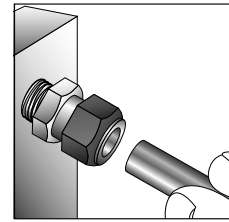
Our resources and vast product line, is available through our worldwide distribution network. For more information regarding our products and services, please contact your authorized Parker Instrumentation Distributor.

*Patent Pending

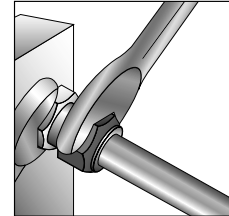


Assembly, Remake & Gaugeability Instructions

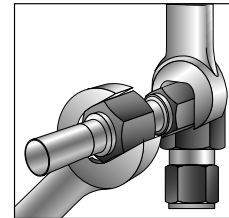
1. Parker MPI™ Fittings are sold completely assembled and ready for immediate use. Simply insert the tube as illustrated until it bottoms in the fitting body. (If the fitting is disassembled, note that the small tapered end of the ferrule(s) go into the fitting body.)



2. For MPI™ Fittings, turn the nut to the “finger-tight” position. Hold the fitting body with a second wrench to prevent the body from turning as you continue tightening the nut. For hand assembly, tighten the nut 1-1/2 turns and for a preset connection (required for 3/4" and 1") tighten the nut 1/2 turn only. See page 27 for more information on preset connections. Parker recommends that you mark the nut (using a scribe or ink) to help you count the turns.



3. For maximum number of remakes, mark the fitting and nut before disassembly. Before retightening, make sure the assembly has been inserted into the fitting until the ferrule seats in the fitting. Retighten the nut by hand. Rotate the nut with a wrench to the original position as indicated by the previous marks lining up. (A noticeable increase in mechanical resistance will be felt indicating the ferrule is being re-sprung into sealing position.)



4. Finally, check the gap between the nut and the body hex with the end of the gauge by inserting the gauge (as shown) into the beveled gap between the nut and body hex. Gently turn the gauge (that is, it “twists out”). **However, if the gauge slides into the beveled gap, (does not “twist out”) the fitting is not properly made up and you must check the entire assembly procedure.**



⚠ WARNING

FAILURE, IMPROPER SELECTION OR IMPROPER USE OF THE PRODUCTS AND/OR SYSTEMS DESCRIBED HEREIN OR RELATED ITEMS CAN CAUSE DEATH, PERSONAL INJURY AND PROPERTY DAMAGE.

This document and other information from Parker Hannifin Corporation, its subsidiaries and authorized distributors provide product and/or system options for further investigation by users having technical expertise. It is important that you analyze all aspects of your application and review the information concerning the product or system in the current product catalog. Due to the variety of operating conditions and applications for these products or systems, the user, through its own analysis and testing, is solely responsible for making the final selection of the products and systems and assuring that all performance, safety and warning requirements of the application are met.

The products described herein, including without limitation, product features, specifications, designs, availability and pricing, are subject to change by Parker Hannifin Corporation and its subsidiaries at any time without notice.

Offer of Sale

The items described in this document are hereby offered for sale by Parker Hannifin Corporation, its subsidiaries or its authorized distributors. This offer and its acceptance are governed by the provisions stated in the “Offer of Sale”.

© Copyright 2004, 2005, Parker Hannifin Corporation. All Rights Reserved.

Visual Index

MPI™ Fittings

FBMP7
MPI™ Male Connector Page 9



XHBMP7
37° Flare to MPI™ Connector Page 9



MP7H2BX
37° Flare Bulkhead to MPI™ Connector Page 10



X41HBMP7
High Pressure to MPI™ Connector Page 10



X42HBMP7
Medium Pressure to MPI™ Connector Page 11



GBMP7
MPI™ to Female NPT Connector Page 11



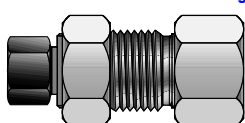
MP7HBA
MPI™ to SAE Male O-ring Connector Page 12



M40HBMP7
Type "M" High Pressure Hose to MPI™ Connector .. Page 12



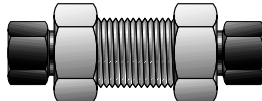
GH2BMP7
MPI™ Bulkhead to Female NPT Page 13



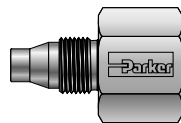
HBMP7
MPI™ to Union Connector Page 13



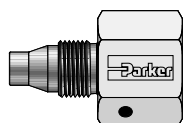
WBMP7
MPI™ Bulkhead Union Connector Page 14



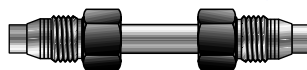
GM7
MPI™ Bulkhead Union Connector Page 14



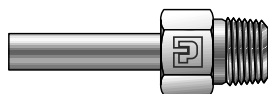
GM7
MPI™ Male End to High Pressure C&T Port ... Page 14



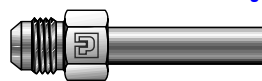
T7HBT7
MPI™ Tube Port Connector Page 15



T7HF
MPI™ Tube Stub to Male NPT Pipe Page 15



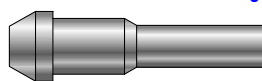
XHT7
37° Flare to MPI™ Tube Stub Page 16



X41HT7
High Pressure to MPI™ Tube Stub Page 16



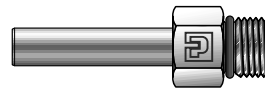
X47HT7
Medium Pressure Port Connector to MPI™ Tube Stub Page 16



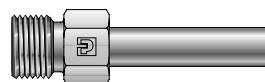
X42HT7
Medium Pressure to MPI™ Tube Stub Page 17



T7HOA
MPI™ Tube Stub to Male SAE O-ring Page 17



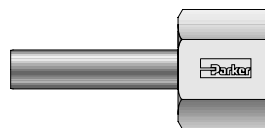
M40HT7
Type "M" High Pressure Hose Adapter to MPI™ Tube Stub Page 17



TRBMP7
MPI™ Tube Stub Reducer Page 18



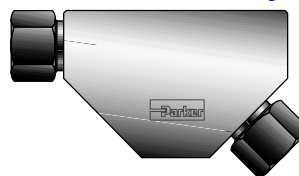
T7HG
MPI™ Tube Stub to Female NPT Pipe Page 18



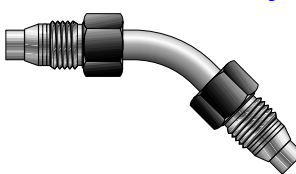
MP7PC
MPI™ Port Connector Page 19



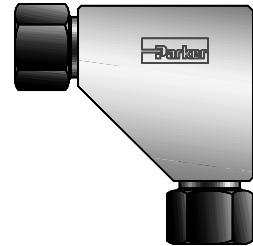
NBMP7
45° MPI™ Union Elbow ... Page 19



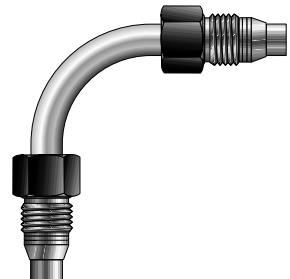
T7NBT7
45° MPI™ Tube Stub Elbow Page 20



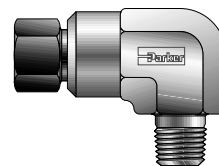
EBMP7
MPI™ Union Elbow Page 20



T7EBT7
MPI™ Tube Elbow Page 21



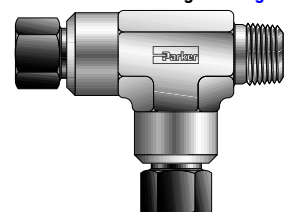
CBMP7
MPI™ to Male NPT Elbow Page 21



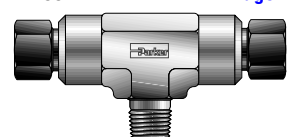
JBMP7
MPI™ Union Tee Page 22



RBMP7
MPI™ to Male Run NPT Tee to Male SAE O-ring ... Page 23

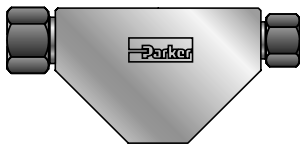


SBMP7
MPI™ to Male Branch NPT Tee Page 23

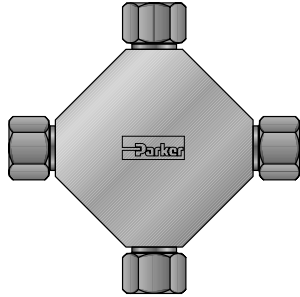


Visual Index

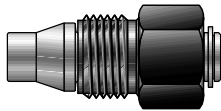
OBMP7
MPI™ to NPT
Female Branch Tee Page 24



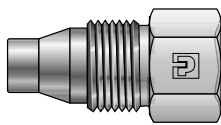
KBMP7
MPI™ Union Cross Page 24



FNMP7
MPI™ Plug Page 24



FNM7
MPI™ Plug Page 25



PNBMP7
MPI™ Cap Page 25



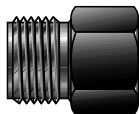
MPFF
MPI™ Front Ferrule Page 25



MPBF
MPI™ Back Ferrule Page 26



BMP7
MPI™ Nut Page 26



• Assembly, Remake & Gaugeability Instructions Page 3

• Typical Raw Materials Page 6

• How To Order Page 6

• Tubing Selection Guide Page 7

• Gaugeability Tools Page 26

• Hydraulic Preset Tools Page 27

Medium Pressure Valves

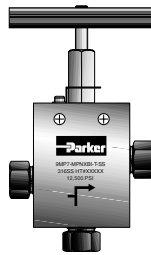
Two Way Inline Valves Page 29



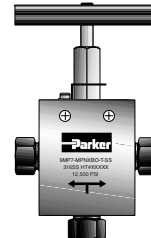
Two Way Angle Valves Page 30



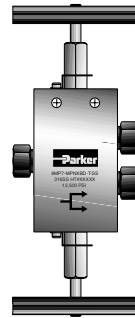
Three Way/Two Pressure Connections Page 31



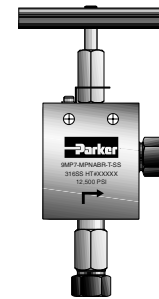
Three Way/One Pressure Connection Page 31



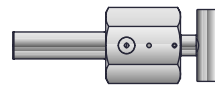
Three Way/Two Stem Connection Page 32



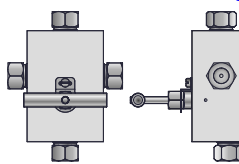
Two Way Angle Valves (Replaceable Seat) Page 32



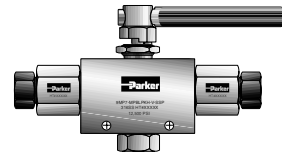
Medium Pressure Bleed Valve Page 33



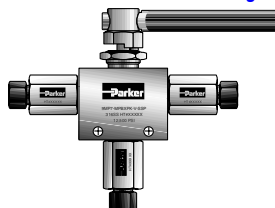
Medium Pressure Gauge Valve Page 33



Two Way Ball Valves Page 34



Three Way Ball Valves Page 35



Inline Filters Page 36



Ball Check Valves Page 37



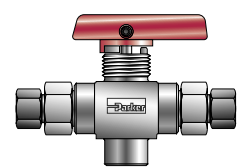
Check Valves Page 37



Relief Valves (Factory Set) Page 38



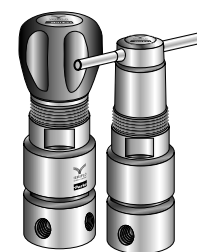
HB Series Ball Valve Page 39



• MP Valve Connection Types Page 28

Medium Pressure Regulators

Medium Pressure Regulators XPR Series Page 39



How to Order Page 39

polyflex™ Hose

2020N-02 Page 40



2380N-04 Page 40



How to Order Page 41



Typical Raw Material Specifications

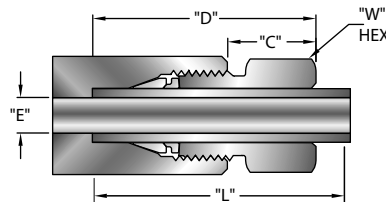
Basic Fitting Material	Bar Stock	Forging
STAINLESS STEEL (Type 316) ⁽¹⁾	ASME SA-479 Type 316-SS BS970 316-S31 DIN 4401	ASME SA-182 316 BS970 316-S31 DIN 4401

- (1) If additional information, including heat code traceability, is required, contact Parker Hannifin or your nearest MPI™ Fitting distributor.
- (2) Parker MPI™ Fittings work reliably on cold drawn - 1/8 hard tubing (both MPI™ and Cone & Thread), and fully annealed, heavy wall type 316 tubing. See page 8 for more information about tubing.

Tube End Dimensional Data

Size No.	Inches						
	Tube O.D.	Straight Thread	C	D	E	*L	W HEX
4	1/4	1/2 - 20	.50	1.34	.13	1.62	9/16
6	3/8	5/8 - 20	.63	1.58	.25	1.88	11/16
8	1/2	13/16 - 20	.69	1.85	.31	2.12	15/16
9	9/16	7/8 - 20	.75	1.91	.38	2.25	1
12	3/4	1 1/8 - 18	.88	2.26	.52	2.75	1 1/4
16	1	1 3/8 - 18	1.13	2.88	.69	3.38	1 1/2

* L = Recommended Straight Length of Circular Un-bent Tubing



How To Order MPI™ Fittings

Parker MPI™ Fittings should be ordered using the part number as listed in this catalog.

Part numbers are developed as follows:

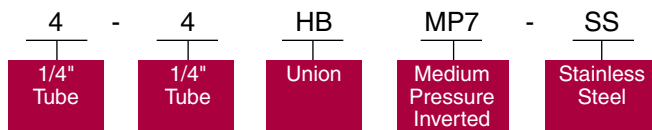
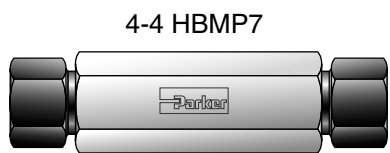
1. A combination of letters and numbers identifies the size and style of the fitting and the material used.
2. Tube and pipe thread sizes are designated by the number of sixteenths of an inch (1/4" tube = 4/16" or 4).

All standard MPI™ Fittings are manufactured from 316 stainless steel. Other materials are available upon special order.

Straights and Elbows: Specify the largest end of the MPI first, followed by the smaller tube end OR pipe thread size.

Example:

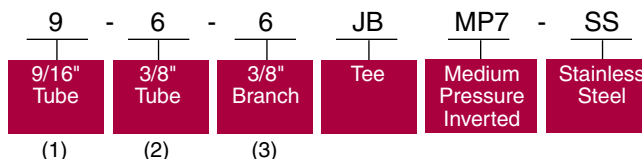
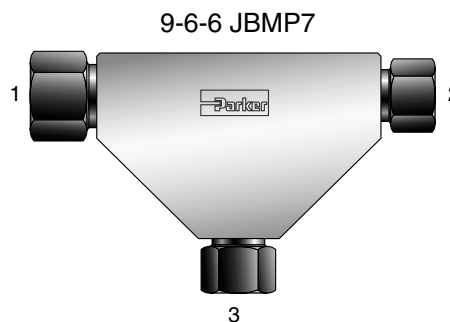
Part number 4-4 HBMP7 union would have the specifications listed below.



Tees:

Example:

Part number 9-6-6 JBMP7 would have the following specifications:



Customer Requests: When special configurations are required, please provide a blueprint of the installation to Parker with your request for a price quote.

Cryogenic Service: MPI™ fittings for cryogenic applications include a vent hole to prevent pressure build-up in front of the threads. To order "vented" MPI™ parts, add "-VT" to the end of the standard part number (e.g., 6-6 HBMP7-SS becomes 6-6 HBMP7-SS-VT).

Tubing Selection Guide

Although Parker’s MPI™ Fittings are engineered and manufactured to consistently provide high levels of reliability, no system’s integrity is complete without considering the critical link: tubing.

This section is intended to help you properly select and order quality tubing, both annealed and medium-pressure cold drawn - 1/8 hard (unannealed).

Parker believes that proper tubing selection and installation are key to building leak-free, reliable tubing systems.

Parker’s MPI™ Fittings have been designed to operate on a wide variety of “medium pressure” applications (6,000 to 15,000 psi).

General Selection Criteria

The data tables in this section will help you select the tubing that best satisfies the needs of the application.

The most important consideration in the selection of suitable tubing for any application is the compatibility of the tubing materials with the media to be contained.

System Pressure

The system operating pressure is another important factor in determining the type, and more importantly, the size of tubing to be used. In general, high pressure installations require strong materials such as stainless steel. Tube fitting assemblies should never be pressurized beyond the recommended working pressure.

Maximum Allowable Working Pressure Tables

Table 1 lists 316 stainless steel along with its associated general applications and recommended temperature ranges.

Tubing Compatibility

Table 1

Tubing Material	General Application	Recommended Temperature Range
Stainless Steel	High Pressure, High Temperature, Generally Corrosive Media	-425°F to 1200°F ⁽¹⁾ (-255°C to 650°C)

(1) For operating temperatures above 800°F (425°C), consideration should be given to media. 300 Series Stainless Steels are susceptible to carbide precipitation which may lead to intergranular corrosion at elevated temperatures.

All temperature ratings based on maximum rated temperatures per ASME/ANSI B31.3 Chemical Plant and Petroleum Refinery Piping Code, 1999 Edition. The information listed in Table 1 is general in scope. For specific applications, please contact Parker’s Instrumentation Products Division, Product Engineering Department (256) 881-2040.

Tables 2, 3 and 4 list the maximum suggested working pressure of various tubing sizes, according to material. Acceptable tubing diameters and wall thicknesses are those for which a rating is listed. Combinations which do not have a pressure rating are not recommended for use with MPI™ Fittings.

MPI™ Tubing

MPI™ tubing is marked "MPI" and is designed to provide optimum performance for MPI™ fittings. MPI™ tubing is nominal OD ±.003" 316 seamless stainless steel, cold drawn - 1/8 hard (unannealed) tubing. Tensile strength is approximately 40% higher than annealed tubing.

Table 2

316 Stainless Steel (Seamless/Unannealed - 1/8 Hard)				
Tube Size (in.)	Nominal OD (in.)	Nominal ID (in.)	Working Pressure	MPI™ Tube Part No.
1/4	.250	.125	15,000	4-240 MPITUBE-SS-15K
3/8	.375	.216	15,000	6-240 MPITUBE-SS-15K
9/16	.562	.344	15,000	9-240 MPITUBE-SS-15K
3/4	.750	.469	15,000	12-240 MPITUBE-SS-15K
1	1.000	.656	12,500	16-240 MPITUBE-SS-15K

NOTE: Working pressures calculated using an allowable stress of 35,000 psi for 1/8 hard 316 stainless steel tubing with a minimum tensile strength of 105,000 psi.

NOTE: Sizes 3/4" & 1" require hydraulic presetting when used with MPI™ fittings.

***Consult factory for pressure tables regarding other materials.**

Cone & Thread Tubing

Cone & Thread (C&T) tubing is available as 1/8 hard 316 seamless stainless steel tubing and is designed to work with existing C&T fittings. C&T tubing has an undersized OD by as much as .010" to better facilitate the coning and threading operations required for use with C&T fittings. MPI™ fittings work effectively with C&T tubing as listed below but require hydraulic presetting for optimum performance.

Table 3

316 Stainless Steel (Undersized OD, Seamless (Unannealed - 1/8 Hard))							
Tube Size (in.)	Max OD (in.)	Nominal ID (in.)	Working Pressure (PSI)	Tube Size (in.)	Max OD (in.)	Nominal ID (in.)	Working Pressure (PSI)
1/4	.250	.109	12,500	9/16	.562	.359	10,000
3/8	.375	.203	12,500	3/4	.750	.516	10,000
9/16	.562	.312	12,500	1	1.000	.688	10,000

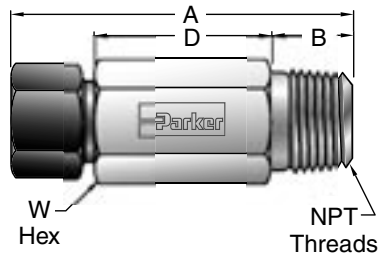
Instrumentation Grade Heavy Wall Tubing

Table 4

Tube OD Size (in.)	316 Stainless Steel (Seamless/Annealed)								
	.065	.083	.095	.109	.120	.134	.156	.188	.220
1/4	10,300	13,300							
3/8	6,600	8,600	10,000	11,700					
1/2		6,700	7,800	9,100	10,000	11,400			
3/4				5,800	6,400	7,300	8,600	10,600	
1					4,700	5,300	6,200	7,700	9,200

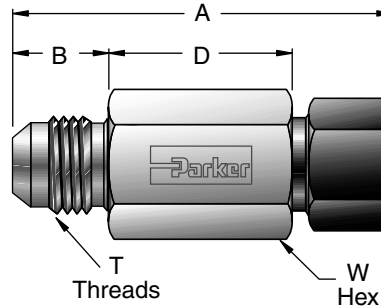
NOTE: Working pressures calculated using an allowable stress of 20,000 psi for annealed 316 stainless steel tubing with a nominal O.D. tolerance of ± .005".

FBMP7 MPI™ to Male NPT Connector



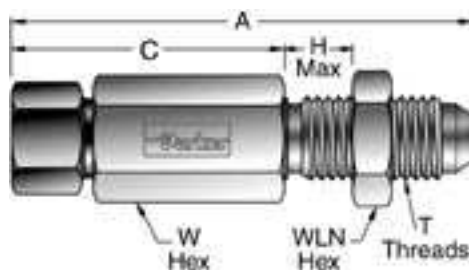
PARKER PART NO.	INCHES						WORKING PRESSURE (PSIG)
	MPI™ SIZE	NPT THREAD	A	B	D	W HEX	
4-2 FBMP7	1/4	1/8 - 27	1.91	.38	1.03	5/8	15,000
4-4 FBMP7	1/4	1/4 - 18	2.10	.57	1.03	5/8	15,000
4-6 FBMP7	1/4	3/8 - 18	2.00	.57	.93	3/4	15,000
4-8 FBMP7	1/4	1/2 - 14	2.17	.76	.91	7/8	15,000
6-4 FBMP7	3/8	1/4 - 18	2.43	.57	1.24	3/4	15,000
6-6 FBMP7	3/8	3/8 - 18	2.43	.57	1.24	3/4	15,000
6-8 FBMP7	3/8	1/2 - 14	2.48	.76	1.10	7/8	15,000
8-6 FBMP7	1/2	3/8 - 18	2.85	.57	1.60	1	15,000
8-8 FBMP7	1/2	1/2 - 14	2.81	.76	1.37	1	15,000
9-6 FBMP7	9/16	3/8 - 18	2.91	.57	1.59	1 1/16	15,000
9-8 FBMP7	9/16	1/2 - 14	3.04	.76	1.53	1 1/16	15,000
12-8 FBMP7	3/4	1/2 - 14	3.85	.76	2.21	1 3/8	15,000
12-12 FBMP7	3/4	3/4 - 14	3.46	.76	1.82	1 3/8	10,000
16-12 FBMP7	1	3/4 - 14	4.53	.76	2.64	1 3/4	10,000
16-16 FBMP7	1	1 - 11.5	4.58	.95	2.50	1 3/4	10,000

XHBMP7 37° Flare to MPI™ Connector



PARKER PART NO.	INCHES							WORKING PRESSURE (PSIG)
	37° FLARE ADAPTER	MPI™ SIZE	A	B	D	T THREAD	W HEX	
4-4 XHBMP7	1/4	1/4	2.08	.55	1.03	7/16 - 20	5/8	15,000
4-6 XHBMP7	1/4	3/8	2.54	.55	1.37	7/16 - 20	3/4	15,000
4-8 XHBMP7	1/4	1/2	2.90	.55	1.66	7/16 - 20	1	15,000
4-9 XHBMP7	1/4	9/16	2.96	.55	1.66	7/16 - 20	1 1/16	15,000
6-4 XHBMP7	3/8	1/4	1.97	.56	.92	9/16 - 18	5/8	12,500
6-6 XHBMP7	3/8	3/8	2.24	.56	1.06	9/16 - 18	3/4	12,500
6-8 XHBMP7	3/8	1/2	2.90	.56	1.66	9/16 - 18	1	12,500
6-9 XHBMP7	3/8	9/16	2.97	.56	1.66	9/16 - 18	1 1/16	12,500
8-6 XHBMP7	1/2	3/8	2.34	.66	1.06	3/4 - 16	13/16	12,500
8-8 XHBMP7	1/2	1/2	2.69	.66	1.34	3/4 - 16	1	12,500
8-9 XHBMP7	1/2	9/16	2.77	.66	1.36	3/4 - 16	1 1/16	12,500
12-12 XHBMP7	1/2	3/4	3.38	.86	1.63	1 1/16 - 12	1 3/8	12,500
16-16 XHBMP7	1	1	4.23	.91	2.19	1 5/16 - 12	1 3/4	7,200

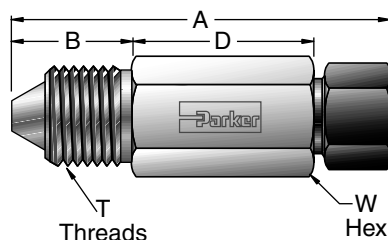
MP7H2BX 37° Flare Bulkhead to MPI™ Connector



PARKER PART NO.	INCHES								WORKING PRESSURE (PSIG)
	MPI™ SIZE	37° FLARE ADAPTER	A	C	H MAX	T THREAD	WLN HEX	W HEX	
4-4 MP7H2BX	1/4	1/4	2.76	1.53	.40	7/16 - 20	11/16	5/8	15,000
6-6 MP7H2BX	3/8	3/8	3.24	1.93	.48	9/16 - 18	13/16	3/4	12,500
8-8 MP7H2BX	1/2	1/2	3.44	1.97	.50	3/4 - 16	1	1	12,500
9-8 MP7H2BX	9/16	1/2	3.76	2.29	.50	3/4 - 16	1	1 1/16	12,500

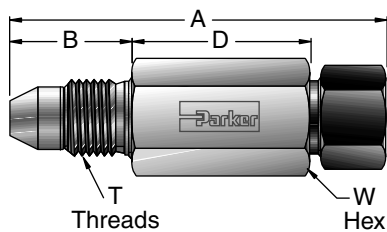
* Bulkhead hole approximately 1/64" (.015") larger than thread major diameter.

X41HBMP7 High Pressure to MPI™ Connector



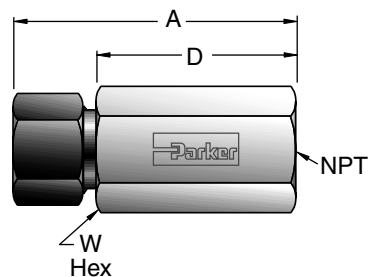
PARKER PART NO.	INCHES							WORKING PRESSURE (PSIG)
	HIGH PRESSURE ADAPTER	MPI™ SIZE	A	B	D	T THREAD	W HEX	
4-4 X41HBMP7	1/4	1/4	2.25	.72	1.03	9/16 - 18	5/8	15,000
4-6 X41HBMP7	1/4	3/8	2.71	.72	1.37	9/16 - 18	3/4	15,000
6-4 X41HBMP7	3/8	1/4	2.52	.92	1.10	3/4 - 16	13/16	15,000
6-6 X41HBMP7	3/8	3/8	2.92	.92	1.37	3/4 - 16	13/16	15,000
6-9 X41HBMP7	3/8	9/16	3.37	.92	1.70	3/4 - 16	1 1/16	15,000
9-6 X41HBMP7	9/16	3/8	3.12	1.13	1.37	1 1/8 - 12	1 3/16	15,000
9-9 X41HBMP7	9/16	9/16	3.58	1.13	1.70	1 1/8 - 12	1 3/16	15,000
9-12 X41HBMP7	9/16	3/4	4.03	1.13	2.02	1 1/8 - 12	1 3/8	15,000

X42HBMP7 Medium Pressure to MPI™ Connector



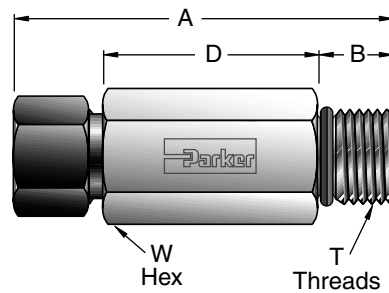
PARKER PART NO.	INCHES							WORKING PRESSURE (PSIG)
	MEDIUM PRESSURE ADAPTER	MPI™ SIZE	A	B	D	T THREAD	W HEX	
4-4 X42HBMP7	1/4	1/4	2.34	.81	1.03	7/16 - 20	5/8	15,000
4-6 X42HBMP7	1/4	3/8	2.80	.81	1.37	7/16 - 20	3/4	15,000
4-9 X42HBMP7	1/4	9/16	3.31	.81	1.75	7/16 - 20	1 1/16	15,000
6-4 X42HBMP7	3/8	1/4	2.47	.94	1.03	9/16 - 18	3/4	15,000
6-6 X42HBMP7	3/8	3/8	2.93	.94	1.37	9/16 - 18	3/4	15,000
6-8 X42HBMP7	3/8	1/2	3.28	.94	1.65	9/16 - 18	1	15,000
6-9 X42HBMP7	3/8	9/16	3.44	.94	1.75	9/16 - 18	1 1/16	15,000
9-4 X42HBMP7	9/16	1/4	2.56	1.13	.93	13/16 - 16	7/8	15,000
9-6 X42HBMP7	9/16	3/8	2.85	1.13	1.10	13/16 - 16	7/8	15,000
9-8 X42HBMP7	9/16	1/2	3.16	1.13	1.35	13/16 - 16	1	15,000
9-9 X42HBMP7	9/16	9/16	3.41	1.13	1.54	13/16 - 16	1 1/16	15,000
9-12 X42HBMP7	9/16	3/4	4.20	1.13	2.19	3/4 - 14 NPS	1 3/8	15,000
12-9 X42HBMP7	3/4	9/16	3.55	1.31	1.35	3/4 - 14 NPS	1 1/16	15,000
12-12 X42HBMP7	3/4	3/4	4.15	1.31	1.96	3/4 - 14 NPS	1 3/8	15,000
12-16 X42HBMP7	3/4	1	5.27	1.31	2.83	3/4 - 14 NPS	1 3/4	12,500

GBMP7 MPI™ Female NPT Connector



PARKER PART NO.	INCHES					WORKING PRESSURE (PSIG)
	MPI™ Size	NPT THREAD	A	D	W HEX	
4-2 GBMP7	1/4	1/8 - 27	2.06	1.56	13/16	15,000
4-4 GBMP7	1/4	1/4 - 18	2.25	1.75	1	15,000
4-6 GBMP7	1/4	3/8 - 18	2.35	1.85	1 1/8	15,000
4-8 GBMP7	1/4	1/2 - 14	2.58	2.08	1 3/8	15,000
6-2 GBMP7	3/8	1/8 - 27	2.37	1.74	13/16	15,000
6-4 GBMP7	3/8	1/4 - 18	2.56	1.93	1	15,000
6-6 GBMP7	3/8	3/8 - 18	2.66	2.03	1 1/8	15,000
6-8 GBMP7	3/8	1/2 - 14	2.87	2.24	1 3/8	15,000
8-4 GBMP7	1/2	1/4 - 18	2.89	2.20	1	15,000
8-6 GBMP7	1/2	3/8 - 18	2.99	2.30	1 1/8	15,000
8-8 GBMP7	1/2	1/2 - 14	3.20	2.51	1 3/8	15,000
9-4 GBMP7	9/16	1/4 - 18	2.68	2.18	1 3/8	15,000
9-6 GBMP7	9/16	3/8 - 18	2.93	2.30	1 1/8	15,000
9-8 GBMP7	9/16	1/2 - 14	3.26	2.51	1 3/8	15,000
12-8 GBMP7	3/4	1/2 - 14	3.70	2.82	1 3/8	15,000

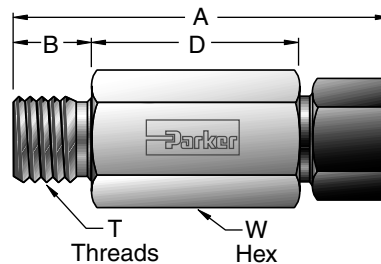
MP7HBA MPI™ to SAE Male O-Ring Connector



PARKER PART NO.	INCHES							WORKING PRESSURE (PSIG)
	MPI™ SIZE	SAE* END	A	B	D	T THREAD	W HEX	
4-4 MP7HBA	1/4	1/4	1.90	.43	.97	7/16 - 20	5/8	12,500
4-6 MP7HBA	1/4	3/8	1.94	.47	.97	9/16 - 18	11/16	12,500
4-8 MP7HBA	1/4	1/2	1.97	.55	.91	3/4 - 16	7/8	12,500
6-4 MP7HBA	3/8	1/4	2.41	.43	1.35	7/16 - 20	3/4	12,500
6-6 MP7HBA	3/8	3/8	2.20	.47	1.10	9/16 - 18	3/4	12,500
6-8 MP7HBA	3/8	1/2	2.23	.55	1.05	3/4 - 16	7/8	12,500
8-4 MP7HBA	1/2	1/4	2.81	.43	1.69	7/16 - 20	1	12,500
8-6 MP7HBA	1/2	3/8	2.82	.47	1.66	9/16 - 18	1	12,500
8-8 MP7HBA	1/2	1/2	2.60	.55	1.36	3/4 - 16	1	12,500
9-6 MP7HBA	9/16	3/8	2.89	.47	1.67	9/16 - 18	1 1/16	12,500
9-8 MP7HBA	9/16	1/2	2.89	.55	1.59	3/4 - 16	1 1/16	12,500

*All male o-ring ends for MPI™ fittings are heavy duty and comply with SAE J1926-2. This end has maximum thread engagement for strength and requires the minimum full thread engagement specified in SAE J9126 for the female port. Standard O-ring material is Nitrile #N0552-90.

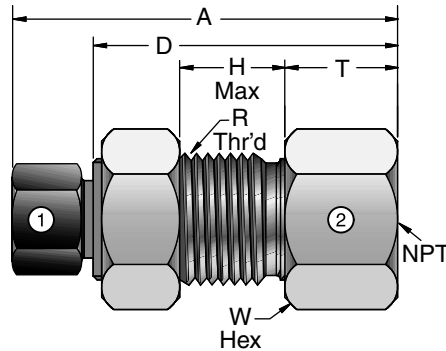
M40HBMP7 Type “M” High Pressure Hose to MPI™ Connector



PARKER PART NO.	INCHES							WORKING PRESSURE (PSIG)
	HOSE* ADAPTER	MPI™ SIZE	A	B	D	T THREAD	W HEX	
6-4 M40HBMP7	- 6	1/4	2.03	.50	1.03	9/16 - 18	5/8	15,000
6-6 M40HBMP7	- 6	3/8	2.45	.50	1.32	9/16 - 18	3/4	15,000
8-6 M40HBMP7	- 8	3/8	2.57	.63	1.32	3/4 - 16	13/16	15,000
8-8 M40HBMP7	- 8	1/2	2.90	.63	1.59	3/4 - 16	1	15,000
8-9 M40HBMP7	- 8	9/16	2.97	.63	1.59	3/4 - 16	1 1/16	15,000
10-4 M40HBMP7	- 10	1/4	2.39	.75	1.14	7/8 - 14	15/16	15,000
10-6 M40HBMP7	- 10	3/8	2.72	.75	1.34	7/8 - 14	15/16	15,000
11-8 M40HBMP7	- 11	1/2	2.89	.63	1.58	1 - 12	1 1/16	15,000
11-9 M40HBMP7	- 11	9/16	2.95	.63	1.58	1 - 12	1 1/16	15,000
11-12 M40HBMP7	- 11	3/4	3.59	.63	2.08	1 - 12	1 3/8	15,000
16-16 M40HBMP7	- 16	1	3.88	.63	2.13	1 5/16 - 12	1 3/4	12,500

* Adapts to Type “M” Swivel Hose Connection.

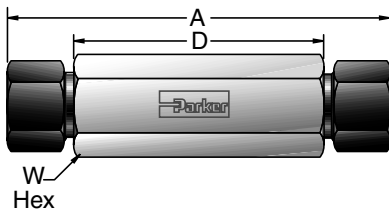
GH2BMP7 MPI™ Bulkhead to Female NPT Connector



PARKER PART NO.	INCHES								WORKING PRESSURE (PSIG)
	MPI™ SIZE	NPT THREAD	A	D	H Max.	R THREAD	T	W HEX	
4-4 GH2BMP7	1/4	1/4 - 18	2.38	1.88	.56	3/4 - 20	.75	1	15,000
6-8 GH2BMP7	3/8	1/2 - 14	3.13	2.50	.63	7/8 - 20	1.25	1 3/8	15,000
6-12 GH2BMP7	3/8	3/4 - 14	3.19	2.56	.63	7/8 - 20	1.31	1 1/2	10,000
8-12 GH2BMP7	1/2	3/4 - 14	3.50	2.81	.75	1 1/8 - 20	1.31	1 1/2	10,000
9-4 GH2BMP7	9/16	1/4 - 18	2.82	2.07	.63	1 1/8 - 20	.69	1 3/8	15,000

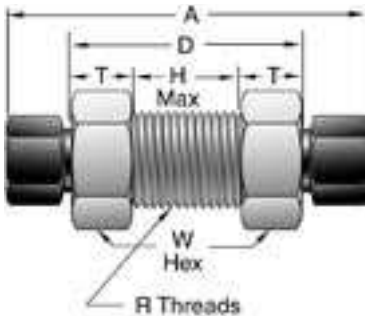
* Bulkhead hole approximately 1/64" (.015") larger than thread major diameter.

HBMP7 MPI™ to Union Connector



PARKER PART NO.	INCHES				WORKING PRESSURE (PSIG)
	MPI™ SIZE	A	D	W HEX	
4-4 HBMP7	1/4	2.88	1.88	5/8	15,000
6-4 HBMP7	3/8 - 1/4	3.32	2.19	3/4	15,000
6-6 HBMP7	3/8	3.44	2.19	3/4	15,000
8-4 HBMP7	1/2 - 1/4	3.88	2.70	1	15,000
8-6 HBMP7	1/2 - 3/8	4.01	2.70	1	15,000
8-8 HBMP7	1/2	4.07	2.70	1	15,000
9-4 HBMP7	9/16 - 1/4	3.95	2.70	1 1/16	15,000
9-6 HBMP7	9/16 - 3/8	4.07	2.70	1 1/16	15,000
9-8 HBMP7	9/16 - 1/2	4.13	2.70	1 1/16	15,000
9-9 HBMP7	9/16	4.20	2.70	1 1/16	15,000
12-6 HBMP7	3/4 - 3/8	4.76	3.25	1 3/8	15,000
12-9 HBMP7	3/4 - 9/16	5.15	3.51	1 3/8	15,000
12-12 HBMP7	3/4	5.08	3.31	1 3/8	15,000
16-16 HBMP7	1	6.52	4.25	1 3/4	12,500

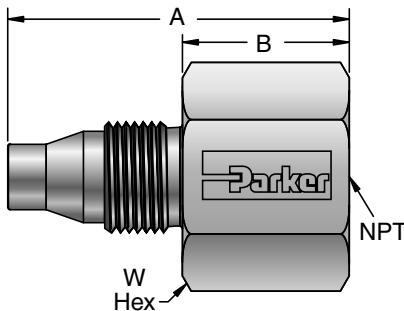
WBMP7 MPI™ Bulkhead Union Connector



PARKER PART NO.	MPI™ SIZE	INCHES						WORKING PRESSURE (PSIG)
		A	D	H MAX	T	*R Threads	W HEX	
4-4 WBMP7	1/4	2.88	1.88	.88	.50	3/4-20	1	15,000
6-6 WBMP7	3/8	3.44	2.19	1.07	.56	7/8-20	1 1/8	15,000
8-8 WBMP7	1/2	4.07	2.70	1.32	.69	1 1/8-20	1 3/8	15,000
8-9 WBMP7	1/2 - 9/16	4.20	2.70	1.32	.69	1 1/8-20	1 3/8	15,000
9-8 WBMP7	9/16 - 1/2	4.20	2.70	1.32	.69	1 1/8-20	1 3/8	15,000
9-9 WBMP7	9/16	4.20	2.70	1.32	.69	1 1/8-20	1 3/8	15,000
12-12 WBMP7	3/4	5.08	3.31	1.56	.88	1 7/16-18	1 7/8	15,000
16-16 WBMP7	1	6.52	4.25	2.00	1.13	1 7/8-12	2 1/2	12,500

* Bulkhead hole approximately 1/64" (.015") larger than thread major diameter.

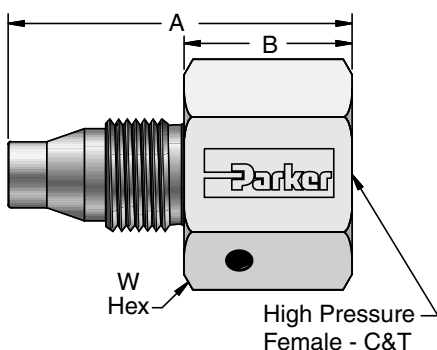
GM7 MPI™ Male End to Female NPT



PARKER PART NO.	MPI™ MALE THREAD ¹	FEMALE NPT END	INCHES				WORKING PRESSURE (PSIG)
			A	B	NPT THREAD	W HEX	
4-4 GM7	1/4	1/4	1.73	.85	1/4 - 18	1	15,000
4-6 GM7	1/4	3/8	1.83	.95	3/8 - 18	1 1/8	15,000
6-4 GM7	3/8	1/4	1.84	.85	1/4 - 18	1	15,000
6-6 GM7	3/8	3/8	1.94	.95	3/8 - 18	1 1/8	15,000
6-8 GM7	3/8	1/2	2.17	1.17	1/2 - 14	1 3/8	15,000
8-4 GM7	1/2	1/4	2.05	.85	1/4 - 18	1	15,000
8-6 GM7	1/2	3/8	2.15	.95	3/8 - 18	1 1/8	15,000
8-8 GM7	1/2	1/2	2.37	1.17	1/2 - 14	1 3/8	15,000
9-4 GM7	9/16	1/4	2.05	.85	1/4 - 18	1	15,000
9-6 GM7	9/16	3/8	2.15	.95	3/8 - 18	1 1/8	15,000
9-8 GM7	9/16	1/2	2.37	1.17	1/2 - 14	1 3/8	15,000
12-4 GM7	3/4	1/4	2.17	.75	1/4 - 18	1 1/4	15,000
12-6 GM7	3/4	3/8	2.17	.75	3/8 - 18	1 1/4	15,000
12-8 GM7	3/4	1/2	2.59	1.17	1/2 - 14	1 3/8	15,000

¹Assemble 1/4 to 1/2 turn from finger tight & lubricate threads & taper before each remake.

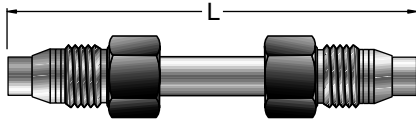
GM7 MPI™ Male End to High Pressure C&T Port



PARKER PART NO.	MPI™ MALE THREAD ¹	HIGH PRESS C&T PORT	INCHES				WORKING PRESSURE (PSIG)
			A	B	C&T THREAD	W HEX	
4-4HF GM7	1/4	1/4	1.57	.69	9/16 - 18	3/4	15,000
6-4HF GM7	3/8	1/4	1.68	.69	9/16 - 18	3/4	15,000
6-6HF GM7	3/8	3/8	1.87	.88	3/4 - 16	1	15,000
8-4HF GM7	1/2	1/4	1.89	.69	9/16 - 18	15/16	15,000
8-6HF GM7	1/2	3/8	2.07	.88	3/4 - 16	1	15,000
9-4HF GM7	9/16	1/4	1.89	.69	9/16 - 18	1	15,000
9-6HF GM7	9/16	3/8	2.07	.88	3/4 - 16	1	15,000
12-4HF GM7	3/4	1/4	2.17	.75	9/16 - 18	1 1/4	15,000
12-6HF GM7	3/4	3/8	2.30	.88	3/4 - 16	1 1/4	15,000

¹Assemble 1/4 to 1/2 turn from finger tight & lubricate threads & taper before each remake.

T7HBT7 MPI™ Tube Port Connector

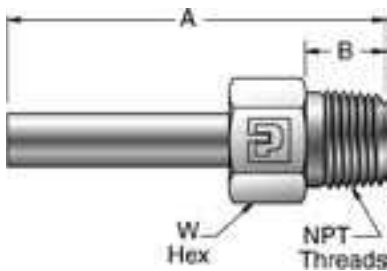


PARKER PART NO.	INCHES		WORKING PRESSURE (PSIG)
	TUBE SIZE	L	
* 4 T7HBT7-SS	1/4	2.72	15,000
4 T7HBT7-SS 4.0	1/4	4.00	15,000
4 T7HBT7-SS 6.0	1/4	6.00	15,000
4 T7HBT7-SS 8.0	1/4	8.00	15,000
4 T7HBT7-SS 10.0	1/4	10.00	15,000
4 T7HBT7-SS 12.0	1/4	12.00	15,000
* 6 T7HBT7-SS	3/8	3.19	15,000
6 T7HBT7-SS 4.0	3/8	4.00	15,000
6 T7HBT7-SS 6.0	3/8	6.00	15,000
6 T7HBT7-SS 8.0	3/8	8.00	15,000
6 T7HBT7-SS 10.0	3/8	10.00	15,000
6 T7HBT7-SS 12.0	3/8	12.00	15,000
* 9 T7HBT7-SS	9/16	3.85	15,000
9 T7HBT7-SS 6.0	9/16	6.00	15,000
9 T7HBT7-SS 8.0	9/16	8.00	15,000
9 T7HBT7-SS 10.0	9/16	10.00	15,000
9 T7HBT7-SS 12.0	9/16	12.00	15,000
* 12 T7HBT7-SS	3/4	4.55	15,000
12 T7HBT7-SS 6.0	3/4	6.00	15,000
12 T7HBT7-SS 8.0	3/4	8.00	15,000
12 T7HBT7-SS 10.0	3/4	10.00	15,000
12 T7HBT7-SS 12.0	3/4	12.00	15,000

Assemble 1/2 turn from finger tight.

* Same Assembled Length as MP7PC.

T7HF MPI™ Tube Stub to Male NPT Pipe

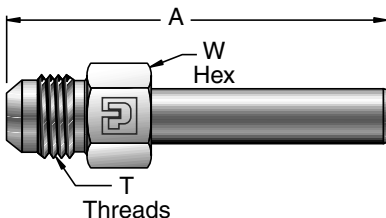


PARKER PART NO.	INCHES						WORKING PRESSURE (PSIG)
	MPI™ TUBE STUB	MALE NPT END	A	B	NPT THREAD	W HEX	
4-4 T7HF	1/4	1/4	2.32	.57	1/4 - 18	5/8	15,000
4-6 T7HF	1/4	3/8	2.44	.57	3/8 - 18	3/4	15,000
4-8 T7HF	1/4	1/2	2.76	.76	1/2 - 14	7/8	15,000
6-4 T7HF	3/8	1/4	2.56	.57	1/4 - 18	5/8	15,000
6-6 T7HF	3/8	3/8	2.68	.57	3/8 - 18	3/4	15,000
6-8 T7HF	3/8	1/2	2.99	.76	1/2 - 14	7/8	15,000
8-4 T7HF	1/2	1/4	2.82	.57	1/4 - 18	5/8	15,000
8-6 T7HF	1/2	3/8	2.95	.57	3/8 - 18	3/4	15,000
8-8 T7HF	1/2	1/2	3.26	.76	1/2 - 14	7/8	15,000
9-4 T7HF	9/16	1/4	2.88	.57	1/4 - 18	5/8	15,000
9-6 T7HF	9/16	3/8	3.01	.57	3/8 - 18	3/4	15,000
9-8 T7HF	9/16	1/2	3.32	.76	1/2 - 14	7/8	15,000
9-12 T7HF	9/16	3/4	3.43	.76	3/4 - 14	1 1/8	10,000
12-8 T7HF	3/4	1/2	3.67	.76	1/2 - 14	7/8	15,000
12-12 T7HF	3/4	3/4	3.80	.76	3/4 - 14	1 1/8	10,000

Add "-Z6" to part number for part assembled with preset ferrules and nuts.

XHT7

37° Flare to MPI™ Tube Stub

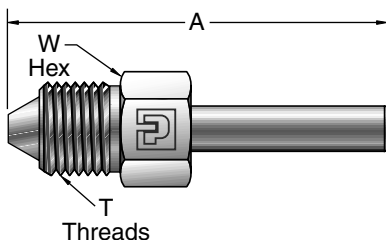


PARKER PART NO.	INCHES					WORKING PRESSURE (PSIG)
	37° FLARE ADAPTER SIZE	MPI™ TUBE STUB	A	T THREAD	W HEX	
4-4 XHT7	1/4	1/4	2.24	7/16 - 20	1/2	15,000
4-6 XHT7	1/4	3/8	2.47	7/16 - 20	1/2	15,000
6-4 XHT7	3/8	1/4	2.37	9/16 - 18	5/8	12,500
6-6 XHT7	3/8	3/8	2.60	9/16 - 18	5/8	12,500
6-8 XHT7	3/8	1/2	2.87	9/16 - 18	5/8	12,500
6-9 XHT7	3/8	9/16	2.93	9/16 - 18	5/8	12,500
8-6 XHT7	1/2	3/8	2.77	3/4 - 16	13/16	12,500
8-8 XHT7	1/2	1/2	3.04	3/4 - 16	13/16	12,500
8-9 XHT7	1/2	9/16	3.10	3/4 - 16	13/16	12,500

Add "-Z6" to part number for part assembled with preset ferrules and nuts.

X41HT7

High Pressure to MPI™ Tube Stub

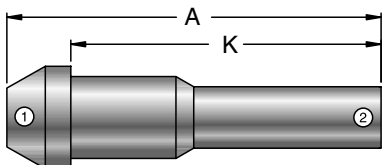


PARKER PART NO.	INCHES					WORKING PRESSURE (PSIG)
	HIGH PRESSURE ADAPTER SIZE	MPI™ TUBE STUB	A	T THREAD	W HEX	
4-4 X41HT7	1/4	1/4	2.59	9/16 - 18	5/8	15,000
4-6 X41HT7	1/4	3/8	2.83	9/16 - 18	5/8	15,000
4-8 X41HT7	1/4	1/2	3.10	9/16 - 18	5/8	15,000
4-9 X41HT7	1/4	9/16	3.16	9/16 - 18	5/8	15,000
6-4 X41HT7	3/8	1/4	2.92	3/4 - 16	13/16	15,000
6-6 X41HT7	3/8	3/8	3.16	3/4 - 16	13/16	15,000
6-8 X41HT7	3/8	1/2	3.43	3/4 - 16	13/16	15,000
6-9 X41HT7	3/8	9/16	3.49	3/4 - 16	13/16	15,000
9-4 X41HT7	9/16	1/4	3.25	1 1/8 - 12	1 3/16	15,000
9-6 X41HT7	9/16	3/8	3.49	1 1/8 - 12	1 3/16	15,000
9-8 X41HT7	9/16	1/2	3.75	1 1/8 - 12	1 3/16	15,000
9-9 X41HT7	9/16	9/16	3.82	1 1/8 - 12	1 3/16	15,000

Add "-Z6" to part number for part assembled with preset ferrules and nuts.

X47HT7

Medium Pressure Port Connector to MPI™ Tube Stub



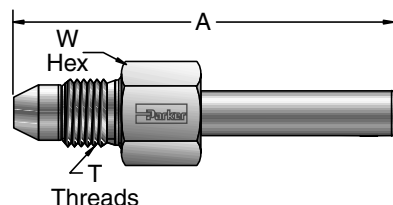
PARKER PART NO.	INCHES				WORKING PRESSURE (PSIG)
	MP PORT CONNECTOR #1	MPI TUBE STUB #2	A	K	
16-9 X47HT7	1	9/16	4.23	3.44	15,000
16-12 X47HT7	1	3/4	4.57	3.79	15,000
16-16 X47HT7	1	1	5.19	4.41	12,500

End # 1 must be used with a Medium Pressure Gland.

Add "-Z6" to part number for part assembled with preset ferrules and nuts.

X42HT7

Medium Pressure to MPI™ Tube Stub

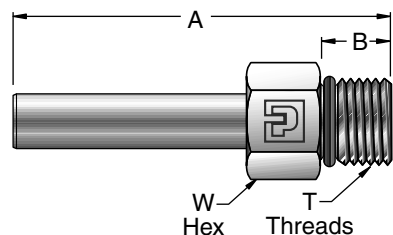


PARKER PART NO.	INCHES					WORKING PRESSURE (PSIG)
	MEDIUM PRESSURE ADAPTER SIZE	MPI™ TUBE STUB	A	T THREAD	W HEX	
4-4 X42HT7	1/4	1/4	2.68	7/16 - 20	5/8	15,000
4-6 X42HT7	1/4	3/8	2.92	7/16 - 20	5/8	15,000
4-8 X42HT7	1/4	1/2	3.18	7/16 - 20	5/8	15,000
4-9 X42HT7	1/4	9/16	3.25	7/16 - 20	5/8	15,000
6-4 X42HT7	3/8	1/4	2.94	9/16 - 18	3/4	15,000
6-6 X42HT7	3/8	3/8	3.17	9/16 - 18	3/4	15,000
6-8 X42HT7	3/8	1/2	3.44	9/16 - 18	3/4	15,000
6-9 X42HT7	3/8	9/16	3.50	9/16 - 18	3/4	15,000
9-4 X42HT7	9/16	1/4	3.25	13/16 - 16	7/8	15,000
9-6 X42HT7	9/16	3/8	3.49	13/16 - 16	7/8	15,000
9-8 X42HT7	9/16	1/2	3.75	13/16 - 16	7/8	15,000
9-9 X42HT7	9/16	9/16	3.81	13/16 - 16	7/8	15,000
9-12 X42HT7	9/16	3/4	4.16	13/16 - 16	7/8	15,000
12-9 X42HT7	3/4	9/16	4.00	3/4 - 14 NPS	1 1/8	15,000
12-12 X42HT7	3/4	3/4	4.35	3/4 - 14 NPS	1 1/8	15,000

Add "-Z6" to part number for part assembled with preset ferrules and nuts.

T7HOA

MPI™ Tube Stub to Male SAE O-ring



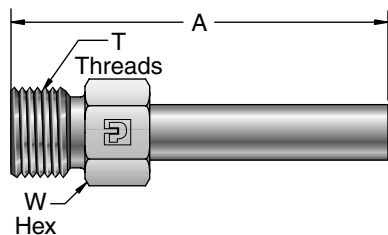
PARKER PART NO.	INCHES						WORKING PRESSURE (PSIG)
	MPI™ TUBE STUB	SAE O-RING END	A	B	T THREAD	W HEX	
4-4 T7HOA	1/4	1/4	2.25	.43	7/16 - 20	9/16	12,500
4-6 T7HOA	1/4	3/8	2.35	.47	9/16 - 18	11/16	12,500
4-8 T7HOA	1/4	1/2	2.49	.55	3/4 - 16	7/8	12,500
6-4 T7HOA	3/8	1/4	2.48	.43	7/16 - 20	9/16	12,500
6-6 T7HOA	3/8	3/8	2.58	.47	9/16 - 18	11/16	12,500
6-8 T7HOA	3/8	1/2	2.72	.55	3/4 - 16	7/8	12,500
8-4 T7HOA	1/2	1/4	2.75	.43	7/16 - 20	9/16	12,500
8-6 T7HOA	1/2	3/8	2.85	.47	9/16 - 18	11/16	12,500
8-8 T7HOA	1/2	1/2	2.99	.55	3/4 - 16	7/8	12,500
9-4 T7HOA	9/16	1/4	2.81	.43	7/16 - 20	5/8	12,500
9-6 T7HOA	9/16	3/8	2.91	.47	9/16 - 18	11/16	12,500
9-8 T7HOA	9/16	1/2	3.05	.55	3/4 - 16	7/8	12,500

Add "-Z6" to part number for part assembled with preset ferrules and nuts.

* All male o-ring ends for MPI™ fittings are heavy duty and comply with SAE J1926-2. This end has maximum thread engagement for strength and requires the minimum full thread engagement specified in SAE J9126 for the female port. Standard O-ring material is Nitrile #N0552-90.

M40HT7

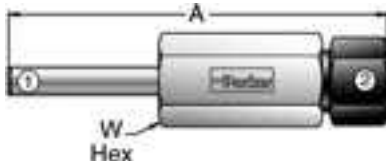
Type "M" High Pressure Hose Adapter to MPI™ Tube Stub



PARKER PART NO.	INCHES					WORKING PRESSURE (PSIG)
	HOSE* ADAPTER SIZE	MPI™ TUBE STUB	A	T THREAD	W HEX	
6-4 M40HT7	-6	1/4	2.31	9/16 - 18	5/8	15,000
6-6 M40HT7	-6	3/8	2.55	9/16 - 18	5/8	15,000
8-6 M40HT7	-8	3/8	2.74	3/4 - 16	13/16	15,000
8-9 M40HT7	-8	9/16	3.12	3/4 - 16	13/16	15,000
11-6 M40HT7	-11	3/8	2.99	1 - 12	1 1/16	15,000
11-9 M40HT7	-11	9/16	3.31	1 - 12	1 1/16	15,000
11-12 M40HT7	-11	3/4	3.66	1 - 12	1 1/16	15,000
16-12 M40HT7	-16	3/4	3.91	1 5/16 - 12	1 3/8	15,000
16-16 M40HT7	-16	1	4.51	1 5/16 - 12	1 3/8	12,500

Add "-Z6" to part number for part assembled with preset ferrules and nuts.

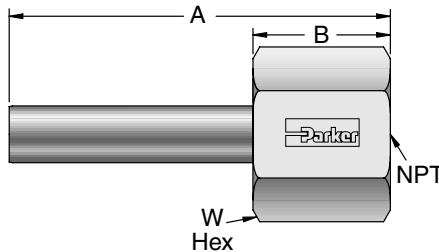
TRBMP7 MPI™ Tube Stub Reducer



PARKER PART NO.	INCHES				WORKING PRESSURE (PSIG)
	MPI™ TUBE STUB #1	MPI™ SIZE #2	A	W HEX	
4-6 TRBMP7	1/4	3/8	3.49	3/4	15,000
4-8 TRBMP7	1/4	1/2	3.94	1	15,000
4-9 TRBMP7	1/4	9/16	4.00	1 1/16	15,000
6-4 TRBMP7	3/8	1/4	3.30	5/8	15,000
6-8 TRBMP7	3/8	1/2	4.17	1	15,000
6-9 TRBMP7	3/8	9/16	4.24	1 1/16	15,000
8-4 TRBMP7	1/2	1/4	3.56	5/8	15,000
8-6 TRBMP7	1/2	3/8	3.99	3/4	15,000
9-4 TRBMP7	9/16	1/4	3.63	5/8	15,000
9-6 TRBMP7	9/16	3/8	4.06	3/4	15,000
9-12 TRBMP7	9/16	3/4	4.97	1 3/8	15,000
12-4 TRBMP7	3/4	1/4	4.17	13/16	15,000
12-6 TRBMP7	3/4	3/8	4.42	13/16	15,000
12-9 TRBMP7	3/4	9/16	4.82	1 1/16	15,000

Add "-Z6" to part number for part assembled with preset ferrules and nuts.

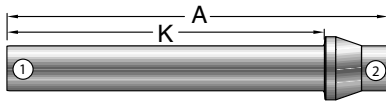
T7HG MPI™ Tube Stub to Female NPT Pipe



PARKER PART NO.	INCHES						WORKING PRESSURE (PSIG)
	MPI™ TUBE STUB	FEMALE NPT END	A	B	NPT THREAD	W HEX	
4-2 T7HG	1/4	1/8	2.09	.72	1/8 - 27	13/16	15,000
4-4 T7HG	1/4	1/4	2.28	.91	1/4 - 18	1	15,000
4-8 T7HG	1/4	1/2	2.64	1.27	1/2 - 14	1 3/8	15,000
6-2 T7HG	3/8	1/8	2.33	.72	1/8 - 27	13/16	15,000
6-4 T7HG	3/8	1/4	2.52	.91	1/4 - 18	1	15,000
6-8 T7HG	3/8	1/2	2.88	1.27	1/2 - 14	1 3/8	15,000
8-2 T7HG	1/2	1/8	2.60	.72	1/8 - 27	13/16	15,000
8-4 T7HG	1/2	1/4	2.79	.91	1/4 - 18	1	15,000
8-8 T7HG	1/2	1/2	3.14	1.27	1/2 - 14	1 3/8	15,000
9-4 T7HG	9/16	1/4	2.84	.91	1/4 - 18	1	15,000
9-8 T7HG	9/16	1/2	3.20	1.27	1/2 - 14	1 3/8	15,000
12-8 T7HG	3/4	1/2	3.55	1.27	1/2 - 14	1 3/8	15,000
12-12 T7HG	3/4	3/4	3.60	1.31	3/4 - 11 1/2	1 1/2	10,000
16-16 T7HG	1	1	4.38	1.50	1 - 11 1/2	1 7/8	10,000

Add "-Z6" to part number for part assembled with preset ferrules and nuts.

MP7PC MPI™ Port Connector

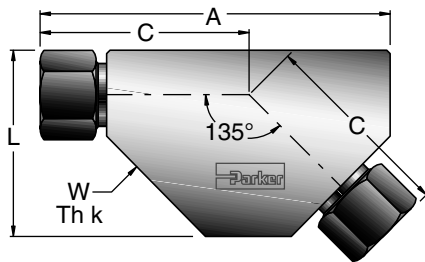


PARKER PART NO.	INCHES				WORKING PRESSURE (PSIG)
	MPI™ TUBE STUB #1	MPI™ PORT #2 ¹	A	K	
4-4 MP7PC	1/4	1/4	2.69	2.23	15,000
4-6 MP7PC	1/4	3/8	2.93	2.40	15,000
6-6 MP7PC	3/8	3/8	3.17	2.64	15,000
6-8 MP7PC	3/8	1/2	3.43	2.68	15,000
6-9 MP7PC	3/8	9/16	3.50	2.75	15,000
8-8 MP7PC	1/2	1/2	3.70	2.95	15,000
9-9 MP7PC	9/16	9/16	3.82	3.07	15,000
9-12 MP7PC	9/16	3/4	4.17	3.32	15,000
12-12 MP7PC	3/4	3/4	4.52	3.67	15,000
12-16 MP7PC	3/4	1	5.12	4.07	12,500
16-16 MP7PC	1	1	5.74	4.70	12,500

¹ Assemble 1/4 to 1/2 turn from finger tight.

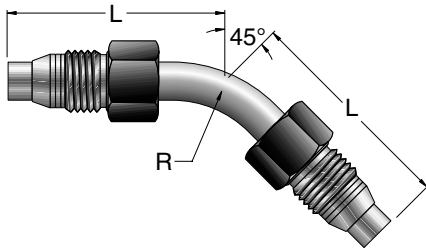
Add "-Z6" to part number for part assembled with preset ferrules and nuts.

NBMP7 45° MPI™ Union Elbow



PARKER PART NO.	INCHES					WORKING PRESSURE (PSIG)
	MPI™ SIZE	A	C	L	W TH'K	
4-4 NBMP7	1/4	2.56	1.50	1.38	5/8	15,000
6-6 NBMP7	3/8	3.10	1.81	1.63	3/4	15,000
8-8 NBMP7	1/2	3.76	2.18	2.13	1	15,000
9-9 NBMP7	9/16	3.82	2.24	2.13	1	15,000
12-12 NBMP7	3/4	4.76	2.38	2.63	1 3/8	15,000

T7NBT7 45° MPI™ Tube Stub Elbow

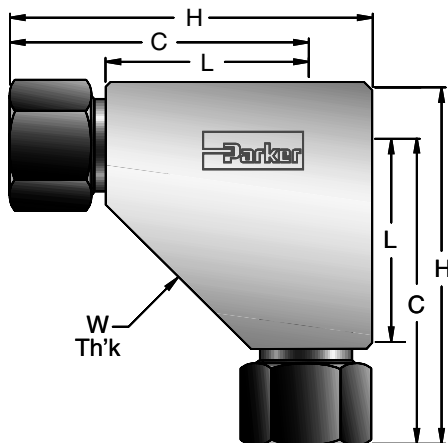


PARKER PART NO.	INCHES			WORKING PRESSURE (PSIG)
	TUBE SIZE	H	R	
4 T7NBT7-SS	1/4	1.69	0.75	15,000
* 4 T7NBT7-SS 2.9	1/4	2.88	0.75	15,000
4 T7NBT7-SS 6.0	1/4	6.00	0.75	15,000
4 T7NBT7-SS 8.0	1/4	8.00	0.75	15,000
4 T7NBT7-SS 10.0	1/4	10.00	0.75	15,000
4 T7NBT7-SS 12.0	1/4	12.00	0.75	15,000
6 T7NBT7-SS	3/8	2.14	1.25	15,000
* 6 T7NBT7-SS 3.4	3/8	3.42	1.25	15,000
6 T7NBT7-SS 6.0	3/8	6.00	1.25	15,000
6 T7NBT7-SS 8.0	3/8	8.00	1.25	15,000
6 T7NBT7-SS 10.0	3/8	10.00	1.25	15,000
6 T7NBT7-SS 12.0	3/8	12.00	1.25	15,000
9 T7NBT7-SS	9/16	2.77	2.00	15,000
* 9 T7NBT7-SS 4.2	9/16	4.18	2.00	15,000
9 T7NBT7-SS 6.0	9/16	6.00	2.00	15,000
9 T7NBT7-SS 8.0	9/16	8.00	2.00	15,000
9 T7NBT7-SS 10.0	9/16	10.00	2.00	15,000
9 T7NBT7-SS 12.0	9/16	12.00	2.00	15,000
12 T7NBT7-SS	3/4	3.55	3.00	15,000
12 T7NBT7-SS 5.1	3/4	5.11	3.00	15,000
12 T7NBT7-SS 6.0	3/4	6.00	3.00	15,000
12 T7NBT7-SS 8.0	3/4	8.00	3.00	15,000
12 T7NBT7-SS 10.0	3/4	10.00	3.00	15,000
12 T7NBT7-SS 12.0	3/4	12.00	3.00	15,000

Assemble 1/2 turn from finger tight.

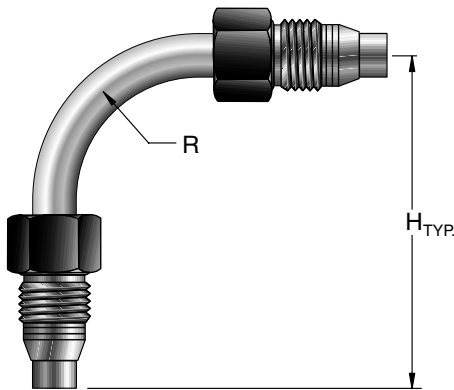
* Similar Assembled Lengths as NBMP7 with Two (2) MP7PC's.

EBMP7 MPI™ Union Elbow



PARKER PART NO.	MPI™ SIZE	INCHES				WORKING PRESSURE (PSIG)
		C	H	L	W TH'K	
4-4 EBMP7	1/4	1.53	1.88	1.03	5/8	15,000
6-6 EBMP7	3/8	1.86	2.25	1.24	3/4	15,000
8-8 EBMP7	1/2	2.22	2.81	1.54	1	15,000
9-9 EBMP7	9/16	2.29	2.88	1.54	1	15,000
12-12 EBMP7	3/4	2.82	3.51	1.94	1 3/8	15,000
16-16 EBMP7	1	3.63	4.51	2.50	1 3/4	12,500

T7EBT7 MPI™ Tube Elbow

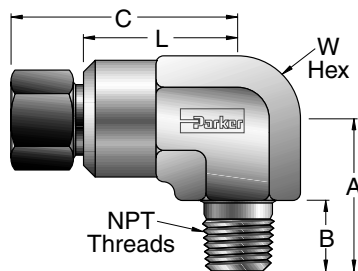


PARKER PART NO.	INCHES			WORKING PRESSURE (PSIG)
	TUBE SIZE	H	R	
4 T7EBT7-SS	1/4	2.12	0.75	15,000
* 4 T7EBT7-SS 2.9	1/4	2.91	0.75	15,000
4 T7EBT7-SS 6.0	1/4	6.00	0.75	15,000
4 T7EBT7-SS 8.0	1/4	8.00	0.75	15,000
4 T7EBT7-SS 10.0	1/4	10.00	0.75	15,000
4 T7EBT7-SS 12.0	1/4	12.00	0.75	15,000
6 T7EBT7-SS	3/8	2.88	1.25	15,000
* 6 T7EBT7-SS 3.5	3/8	3.47	1.25	15,000
6 T7EBT7-SS 6.0	3/8	6.00	1.25	15,000
6 T7EBT7-SS 8.0	3/8	8.00	1.25	15,000
6 T7EBT7-SS 10.0	3/8	10.00	1.25	15,000
6 T7EBT7-SS 12.0	3/8	12.00	1.25	15,000
* 9 T7EBT7-SS	9/16	4.22	2.00	15,000
9 T7EBT7-SS 6.0	9/16	6.00	2.00	15,000
9 T7EBT7-SS 8.0	9/16	8.00	2.00	15,000
9 T7EBT7-SS 10.0	9/16	10.00	2.00	15,000
9 T7EBT7-SS 12.0	9/16	12.00	2.00	15,000
12 T7EBT7-SS	3/4	5.31	3.00	15,000
12 T7EBT7-SS 6.0	3/4	6.00	3.00	15,000
12 T7EBT7-SS 8.0	3/4	8.00	3.00	15,000
12 T7EBT7-SS 10.0	3/4	10.00	3.00	15,000
12 T7EBT7-SS 12.0	3/4	12.00	3.00	15,000

Assemble 1/2 turn from finger tight.

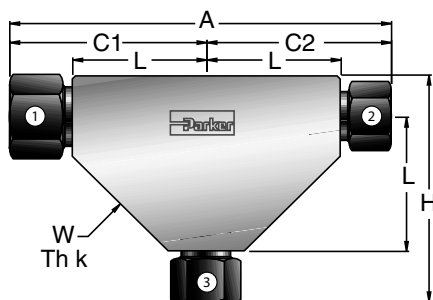
* Same Assembled Lengths as EBMP7 with Two (2) MP7PC's.

CBMP7 MPI™ to Male NPT Elbow



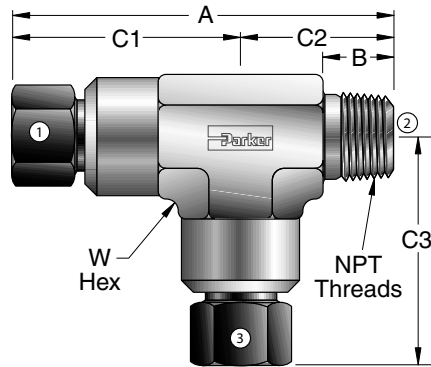
PARKER PART NO.	INCHES							WORKING PRESSURE (PSIG)
	MPI™ SIZE	NPT THREAD	A	B	C	L	W HEX	
4-4 CBMP7	1/4	1/4 - 18	1.13	.57	1.53	1.03	3/4	15,000
4-6 CBMP7	1/4	3/8 - 18	1.13	.57	1.56	1.06	3/4	12,000
4-8 CBMP7	1/4	1/2 - 14	1.41	.76	1.64	1.14	3/4	10,000
6-4 CBMP7	3/8	1/4 - 18	1.23	.57	1.86	1.24	7/8	12,500
6-6 CBMP7	3/8	3/8 - 18	1.23	.57	1.86	1.24	7/8	12,000
6-8 CBMP7	3/8	1/2 - 14	1.41	.76	1.92	1.30	7/8	10,000

JBMP7 MPI™ Union Tee



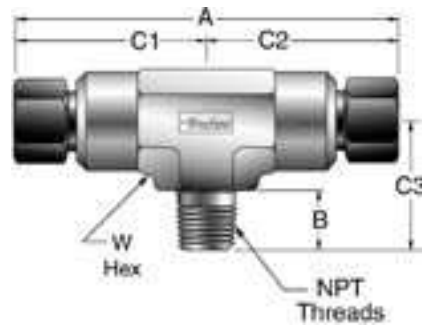
PARKER PART NO.	INCHES									WORKING PRESSURE (PSIG)
	MPI™ SIZE #1	MPI™ SIZE #2	MPI™ SIZE #3	A	C1	C2	H	L	W TH'K	
4-4-4 JBMP7	1/4	1/4	1/4	3.06	1.53	1.53	1.88	1.03	5/8	15,000
6-6-6 JBMP7	3/8	3/8	3/8	3.72	1.86	1.86	2.25	1.24	3/4	15,000
8-8-8 JBMP7	1/2	1/2	1/2	4.45	2.22	2.22	2.81	1.54	1	15,000
9-9-9 JBMP7	9/16	9/16	9/16	4.57	2.29	2.29	2.88	1.54	1	15,000
12-12-12 JBMP7	3/4	3/4	3/4	5.64	2.82	2.82	3.51	1.94	1 3/8	15,000
16-16-16 JBMP7	1	1	1	7.27	3.63	3.63	4.51	2.50	1 3/4	12,500
4-4-6 JBMP7	1/4	1/4	3/8	3.47	1.74	1.74	2.25	1.24	3/4	15,000
6-6-4 JBMP7	3/8	3/8	1/4	3.72	1.86	1.86	2.13	1.24	3/4	15,000
6-4-4 JBMP7	3/8	1/4	1/4	3.60	1.86	1.74	2.13	1.24	3/4	15,000
6-6-8 JBMP7	3/8	3/8	1/2	4.32	2.16	2.16	2.81	1.54	1	15,000
6-6-9 JBMP7	3/8	3/8	9/16	4.45	2.16	2.29	2.88	1.54	1	15,000
8-8-6 JBMP7	1/2	1/2	3/8	4.45	2.22	2.22	2.75	1.54	1	15,000
8-6-6 JBMP7	1/2	3/8	3/8	4.38	2.22	2.16	2.75	1.54	1	15,000
9-9-4 JBMP7	9/16	9/16	1/4	4.57	2.29	2.29	2.63	1.54	1	15,000
9-9-6 JBMP7	9/16	9/16	3/8	4.57	2.29	2.29	2.75	1.54	1	15,000
9-6-4 JBMP7	9/16	3/8	1/4	4.45	2.29	2.16	2.63	1.54	1	15,000
9-6-6 JBMP7	9/16	3/8	3/8	4.45	2.29	2.16	2.75	1.54	1	15,000
12-12-9 JBMP7	3/4	3/4	9/16	5.64	2.82	2.82	3.38	1.94	1 3/8	15,000
16-16-9 JBMP7	1	1	9/16	7.27	3.63	3.63	4.13	2.50	1 3/4	12,500
16-16-12 JBMP7	1	1	3/4	7.27	3.63	3.63	4.26	2.50	1 3/4	12,500

RBMP7
MPI™ to Male Run
NPT Tee



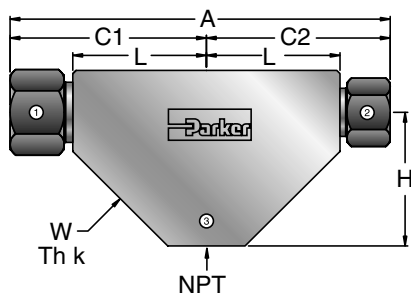
PARKER PART NO.	INCHES									WORKING PRESSURE (PSIG)
	MPI™ SIZE #1	NPT THR'D #2	MPI™ SIZE #3	A	C1	C2	C3	B	W Hex	
4-4-4 RBMP7	1/4	1/4 - 18	1/4	2.76	1.63	1.13	1.63	.57	3/4	15,000
4-4-6 RBMP7	1/4	1/4 - 18	3/8	2.85	1.63	1.23	1.86	.57	7/8	12,500
4-6-4 RBMP7	1/4	3/8 - 18	1/4	2.76	1.63	1.13	1.63	.57	3/4	12,000
4-6-6 RBMP7	1/4	3/8 - 18	3/8	2.85	1.63	1.23	1.86	.57	7/8	12,000
6-4-4 RBMP7	3/8	1/4 - 18	1/4	3.09	1.86	1.23	1.63	.57	7/8	12,500
6-4-6 RBMP7	3/8	1/4 - 18	3/8	3.09	1.86	1.23	1.86	.57	7/8	12,500
6-6-4 RBMP7	3/8	3/8 - 18	1/4	3.09	1.86	1.23	1.63	.57	7/8	12,000
6-6-6 RBMP7	3/8	3/8 - 18	3/8	3.09	1.86	1.23	1.86	.57	7/8	12,000

SBMP7
MPI™ to Male Branch
NPT Tee



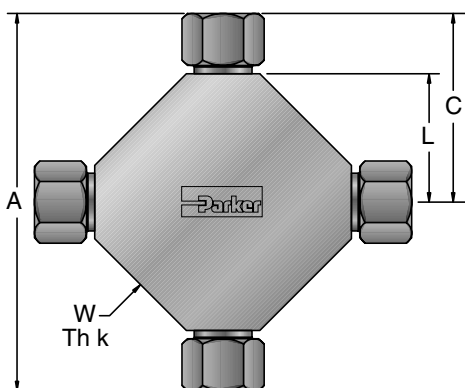
PARKER PART NO.	INCHES									WORKING PRESSURE (PSIG)
	MPI™ SIZE #1	NPT THR'D #2	MPI™ SIZE #3	A	C1	C2	C3	B	W Hex	
4-4-4 SBMP7	1/4	1/4	1/4 - 18	3.25	1.63	1.63	1.13	.57	3/4	15,000
4-4-6 SBMP7	1/4	3/8	3/8 - 18	3.25	1.63	1.63	1.13	.57	3/4	12,000
6-6-4 SBMP7	3/8	1/4	1/4 - 18	3.72	1.86	1.86	1.23	.57	7/8	12,500
6-6-6 SBMP7	3/8	3/8	3/8 - 18	3.72	1.86	1.86	1.23	.57	7/8	12,000

OBMP7 MPI™ to NPT Female Branch Tee



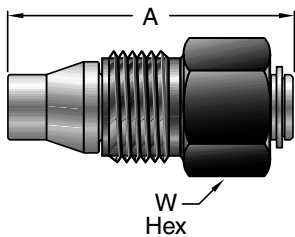
PARKER PART NO.	INCHES									WORKING PRESSURE (PSIG)
	MPI™ SIZE #1	MPI™ SIZE #2	NPT THR'D #3	A	C1	C2	C3	B	W TH'K	
4-4-4 OBMP7	1/4	1/4	1/4-18	3.47	1.74	1.74	1.24	1.24	3/4	15,000
6-6-4 OBMP7	3/8	3/8	1/4-18	3.72	1.86	1.86	1.24	1.24	3/4	15,000
6-6-8 OBMP7	3/8	3/8	1/2-14	3.88	1.94	1.94	1.54	1.31	1 3/8	15,000
8-8-8 OBMP7	1/2	1/2	1/2-14	4.45	2.22	2.22	1.94	1.54	1 3/8	15,000
9-9-8 OBMP7	9/16	9/16	1/2-14	4.57	2.29	2.29	1.94	1.54	1 3/8	15,000
12-12-8 OBMP7	3/4	3/4	1/2-14	5.64	2.82	2.82	1.94	1.94	1 3/8	15,000

KBMP7 MPI™ Union Cross



PARKER PART NO.	INCHES					WORKING PRESSURE (PSIG)
	MPI™ SIZE	A	C	L	W TH'K	
4 KBMP7	1/4	3.06	1.53	1.03	5/8	15,000
6 KBMP7	3/8	3.72	1.86	1.24	3/4	15,000
8 KBMP7	1/2	4.45	2.22	1.54	1	15,000
9 KBMP7	9/16	4.57	2.29	1.54	1	15,000
12 KBMP7	3/4	5.64	2.82	1.94	1 3/8	15,000

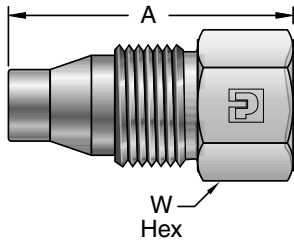
FNMP7 MPI™ Plug



PARKER PART NO.	INCHES			WORKING PRESSURE (PSIG)
	MPI™ SIZE	A	W HEX	
4 FNMP7	1/4	1.41	9/16	15,000
6 FNMP7	3/8	1.65	11/16	15,000
8 FNMP7	1/2	1.94	15/16	15,000
9 FNMP7	9/16	2.00	1	15,000
12 FNMP7	3/4	2.35	1 1/4	15,000
16 FNMP7	1	2.96	1 1/2	12,500

Assemble 1/4 to 1/2 turn from finger tight.

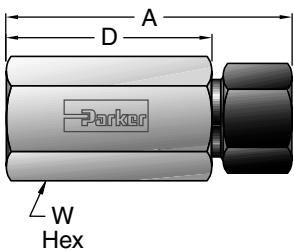
FNM7 MPI™ Plug



PARKER PART NO.	INCHES			WORKING PRESSURE (PSIG)
	MPI™ SIZE	A	W HEX	
4 FNM7	1/4	1.26	9/16	15,000
6 FNM7	3/8	1.49	11/16	15,000
8 FNM7	1/2	1.76	15/16	15,000
9 FNM7	9/16	1.82	1	15,000
12 FNM7	3/4	2.17	1 1/4	15,000

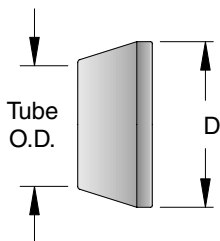
Assemble 1/4 to 1/2 turn from finger tight and lubricate threads and taper before each remake.

PNBMP7 MPI™ Cap



PARKER PART NO.	INCHES				WORKING PRESSURE (PSIG)
	MPI™ SIZE	A	D	W HEX	
4 PNBMP7	1/4	1.69	1.19	5/8	15,000
6 PNBMP7	3/8	2.12	1.49	3/4	15,000
8 PNBMP7	1/2	2.62	1.93	1	15,000
9 PNBMP7	9/16	2.75	2.00	1 1/16	15,000
12 PNBMP7	3/4	3.53	2.64	1 3/8	15,000
16 PNBMP7	1	4.44	3.31	1 3/4	12,500

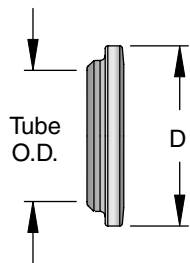
MPFF MPI™ Front Ferrule



PARKER PART NO.	TUBE O.D.	FERRULE O.D.
4 MPFF	1/4	0.40
6 MPFF	3/8	0.52
8 MPFF	1/2	0.72
9 MPFF	9/16	0.78
12 MPFF	3/4	0.99
16 MPFF	1	1.30

MPBF

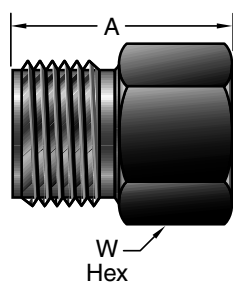
MPI™ Back Ferrule



PARKER PART NO.	TUBE O.D.	FERRULE O.D.
4 MPBF	1/4	0.40
6 MPBF	3/8	0.52
8 MPBF	1/2	0.72
9 MPBF	9/16	0.78
12 MPBF	3/4	0.99
16 MPBF	1	1.30

BMP7

MPI™ Nut



PARKER PART NO.	MPI™ SIZE	A	W HEX
4 BMP7	1/4	0.81	9/16
6 BMP7	3/8	0.92	11/16
8 BMP7	1/2	0.97	15/16
9 BMP7	9/16	1.03	1
12 BMP7	3/4	1.34	1 1/4
16 BMP7	1	1.74	1 1/2

Gaugeability Tools

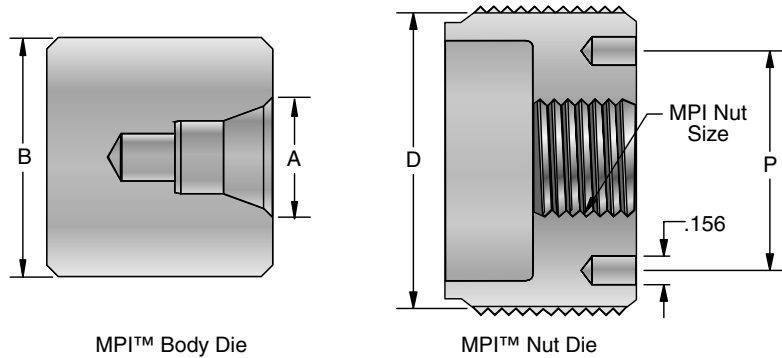


Inspection Gauge

MPIF Inspection Gauge

This one handy gauge works for all MPI™ sizes. The end of the gauge checks the fitting gap after make-up.

MPI™ HYDRAULIC PRESET TOOLS



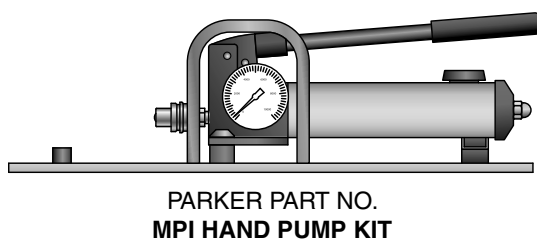
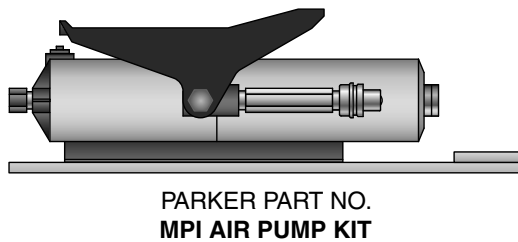
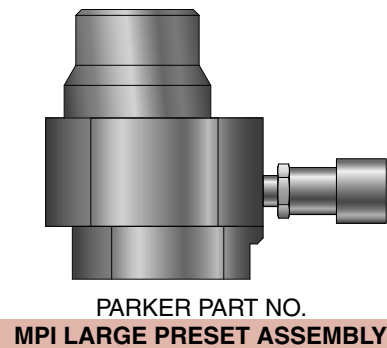
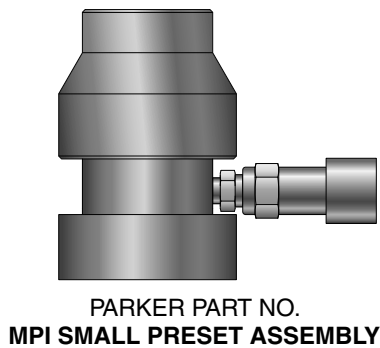
Body Dies and Nut Dies Used with the

MPI SMALL PRESET ASSEMBLY		INCHES					PRESET PRESSURE (PSIG)
BODY DIE PART No.	NUT DIE PART No.	A	B	D	P	MPI™ NUT SIZE	
4 MPI BODY DIE	4 MPI NUT DIE	.50	1.25	1.62	1.20	4	3,000
6 MPI BODY DIE	6 MPI NUT DIE	.63	1.25	1.62	1.20	6	3,500
8 MPI BODY DIE	8 MPI NUT DIE	.82	1.25	1.62	1.20	8	6,500
9 MPI BODY DIE	9 MPI NUT DIE	.88	1.25	1.62	1.20	9	8,000

Body Dies and Nut Dies Used with the

MPI LARGE PRESET ASSEMBLY		INCHES					PRESET PRESSURE (PSIG)
BODY DIE PART No.	NUT DIE PART No.	A	B	D	P	MPI™ NUT SIZE	
*9 MPI BODY DIE	9 MPI LARGE NUT DIE	.88	1.25	2.00	1.67	9	3,400
12 MPI BODY DIE	12 MPI NUT DIE	1.13	1.75	2.00	1.67	12	5,100
16 MPI BODY DIE	16 MPI NUT DIE	1.44	1.75	2.00	1.67	16	8,000

* Requires a 9 MPI BODY DIE ADAPTER



Note: One Pump Kit, Preset Assembly, Body Die and Nut Die are required for presetting. Pump Kits and Preset Assemblies can be interchanged but Body Dies and Nut Dies are for a specific Preset Assembly. Detailed operating instructions are included with each kit.

Introduction

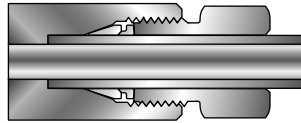
Parker MPN series valves are designed for multi-turn control of media regulation and shutoff up to 20,000 psi. Additional packing materials are available for application temperatures from -300° to +800° F. Standard critical service design features, such as the packing below the thread and the non-rotating lower stem ensure longer valve life in rugged applications.

Medium Pressure Valve Connection Types

F
Female NPT
To 15,000 PSI



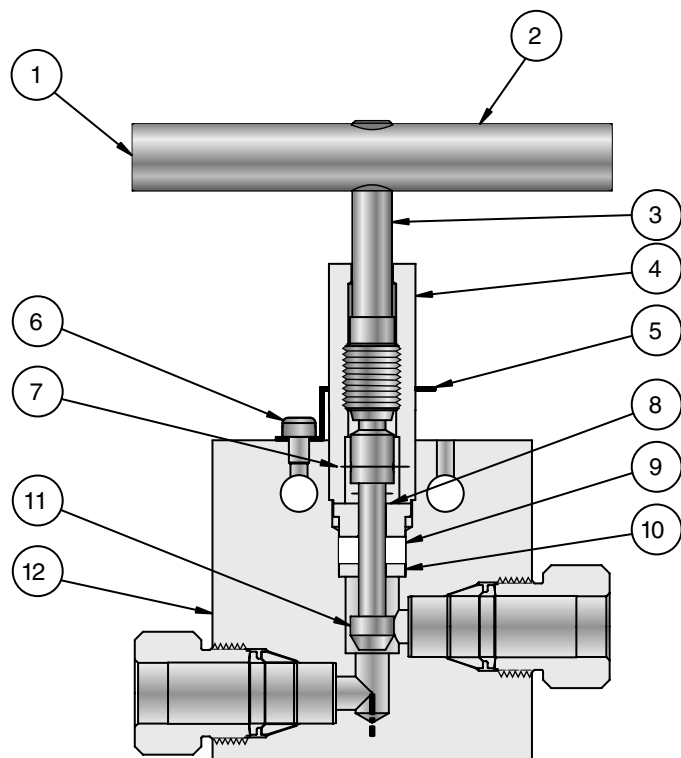
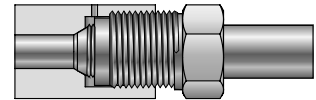
MP7
Parker MPI™
(Medium Pressure
Inverted)
To 15,000 PSI



T7
Parker MPI™
Tube Stub
To 15,000 PSI



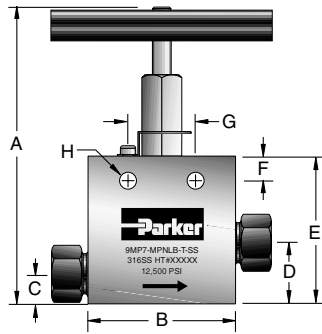
MF
Cone & Thread
(Medium Pressure
Female)
To 20,000 PSI



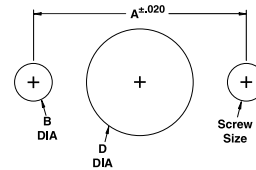
Materials of Construction

Item #	Description	Material
1	Soc Set Screw	Steel
2	Handle	Aluminum
3	Upper Stem Assembly	17-4PH
4	Packing Gland	316SS
5	Locking Device	300 SER. SS
6	10-32 X 1/4 Fill HD SCR.	300 SER. SS
7	Stem Pin	304SS
8	Top Packing Washer	416SS
9	Packing	PTFE
10	Bottom Packing Washer	316SS
11	Lower Stem	17-4PH-H900
12	Body	316SS

Two Way Inline Valves



Panel Hole Sizes
Medium Pressure Needle Valve Panel Mount

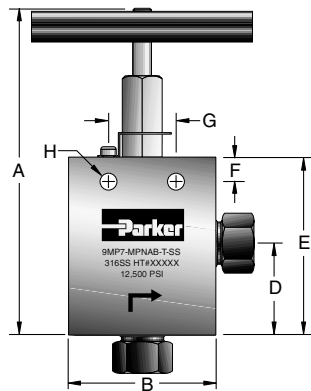


VALVE SIZE	A	B	SCREW SIZE	D
4 & 6	1.25	.219	10 - 32	.75
8 & 9	1.375	.219	10 - 32	1.00
12	1.75	2.19	10 - 32	1.19
16	2.50	.219	10 - 32	1.63

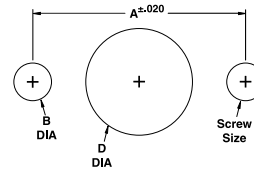
TUBING SIZE	PARKER PART NO.	PSI	CONNECTION	INCHES									
				ORIFICE	A	B	C	D	E	F	G	H	TH'K
1/4" O.D.	4MP7-MPNLB-T-SS	15,000	1/4" MPI	0.125	4.50	2.50	0.50	0.94	2.13	0.38	1.25	0.22	1.00
3/8" O.D.	6MP7-MPNLB-T-SS	15,000	3/8" MPI	0.203	4.50	2.50	0.50	0.94	2.13	0.38	1.25	0.22	1.00
1/2" O.D.	8MP7-MPNLB-T-SS	15,000	1/2" MPI	0.313	6.26	3.00	0.63	1.25	3.00	0.50	1.38	0.34	1.38
9/16" O.D.	9MP7-MPNLB-T-SS	15,000	9/16" MPI	0.313	6.26	3.00	0.63	1.25	3.00	0.50	1.38	0.34	1.38
3/4" O.D.	12MP7-MPNLB-T-SS	15,000	3/4" MPI	0.438	7.00	3.00	0.75	1.50	3.75	0.63	1.75	0.44	1.38
3/4" O.D.	12MP7-MPNLBH-T-SS	10,000	3/4" MPI	0.516	7.00	3.00	0.75	1.50	3.75	0.63	1.75	0.44	1.38
1" O.D.	16MP7-MPNLB-T-SS	12,500	1" MPI	0.563	8.42	4.13	0.88	1.81	4.63	1.13	2.50	0.56	1.75
1" O.D.	16MP7-MPNLBH-T-SS	10,000	1" MPI	0.688	8.42	4.13	0.88	1.81	4.63	1.13	2.50	0.56	1.75

PIPE SIZE	PARKER PART NO.	PSI	CONNECTION	INCHES									
				ORIFICE	A	B	C	D	E	F	G	H	TH'K
1/8" NPT	2F-MPNLB-T-SS	15,000	1/8" NPTF	0.203	4.38	2.00	0.38	0.81	2.00	0.38	1.25	0.22	0.75
1/4" NPT	4F-MPNLB-T-SS	15,000	1/4" NPTF	0.203	4.38	2.00	0.38	0.81	2.00	0.38	1.25	0.22	0.75
3/8" NPT	6F-MPNLB-T-SS	15,000	3/8" NPTF	0.312	6.13	2.50	0.50	1.13	2.88	0.50	1.38	0.34	1.00
1/2" NPT	8F-MPNLB-T-SS	15,000	1/2" NPTF	0.312	6.38	2.63	0.75	1.38	3.13	0.50	1.38	0.34	1.50
3/4" NPT	12F-MPNLB-T-SS	10,000	3/4" NPTF	0.687	8.50	4.13	0.88	1.81	4.63	1.13	2.50	0.56	1.75
1" NPT	16F-MPNLB-T-SS	10,000	1" NPTF	0.687	8.50	4.13	0.88	1.81	4.63	1.13	2.50	0.56	1.75

Two Way Angle Valves



Panel Hole Sizes
Medium Pressure Needle Valve Panel Mount

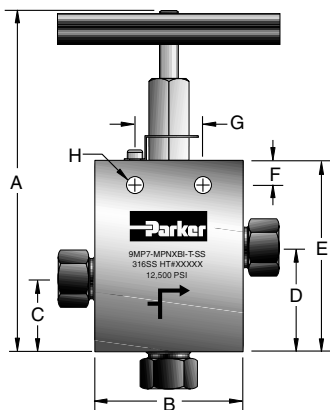


VALVE SIZE	A	B	SCREW SIZE	D
4 & 6	1.25	.219	10 - 32	.75
8 & 9	1.375	.219	10 - 32	1.00
12	1.75	2.19	10 - 32	1.19
16	2.50	.219	10 - 32	1.63

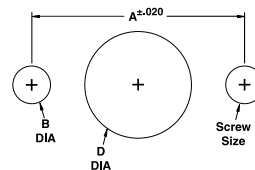
TUBING	PARKER PART NO.	PSI	CONNECTION	INCHES									
				ORIFICE	A	B	C	D	E	F	G	H	TH'K
1/4" O.D.	4MP7-MPNAB-T-SS	15,000	1/4" MPI	0.125	5.02	2.50	-	1.38	2.57	0.38	1.25	0.22	1.00
3/8" O.D.	6MP7-MPNAB-T-SS	15,000	3/8" MPI	0.203	5.02	2.50	-	1.38	2.57	0.38	1.25	0.22	1.00
1/2" O.D.	8MP7-MPNAB-T-SS	15,000	1/2" MPI	0.313	6.84	3.00	-	1.83	3.58	0.50	1.38	0.34	1.38
9/16" O.D.	9MP7-MPNAB-T-SS	15,000	9/16" MPI	0.313	6.84	3.00	-	1.83	3.58	0.50	1.38	0.34	1.38
3/4" O.D.	12MP7-MPNAB-T-SS	15,000	3/4" MPI	0.438	7.50	3.00	-	2.00	4.25	0.63	1.75	0.44	1.38
3/4" O.D.	12MP7-MPNABH-T-SS	10,000	3/4" MPI	0.516	7.50	3.00	-	2.00	4.25	0.63	1.75	0.44	1.38
1" O.D.	16MP7-MPNAB-T-SS	12,500	1" MPI	0.563	9.38	4.13	-	2.56	5.44	1.13	2.50	0.56	1.75
1" O.D.	16MP7-MPNABH-T-SS	10,000	1" MPI	0.688	9.38	4.13	-	2.56	5.44	1.13	2.50	0.56	1.75

PIPE SIZE	PARKER PART NO.	PSI	CONNECTION	INCHES									
				ORIFICE	A	B	C	D	E	F	G	H	TH'K
1/8" NPT	2F-MPNAB-T-SS	15,000	1/8" NPTF	0.203	4.81	2.00	-	1.25	2.44	0.38	1.25	0.22	0.75
1/4" NPT	4F-MPNAB-T-SS	15,000	1/4" NPTF	0.203	4.81	2.00	-	1.25	2.44	0.38	1.25	0.22	0.75
3/8" NPT	6F-MPNAB-T-SS	15,000	3/8" NPTF	0.312	6.50	2.50	-	1.50	3.25	0.50	1.38	0.34	1.00
1/2" NPT	8F-MPNAB-T-SS	15,000	1/2" NPTF	0.312	6.50	2.63	-	1.50	3.25	0.50	1.38	0.34	1.50
3/4" NPT	12F-MPNAB-T-SS	10,000	3/4" NPTF	0.687	9.00	4.13	-	2.31	5.13	1.13	2.50	0.56	1.75
1" NPT	16F-MPNAB-T-SS	10,000	1" NPTF	0.687	9.00	4.13	-	2.31	5.13	1.13	2.50	0.56	1.75

Three Way/Two Pressure Connections



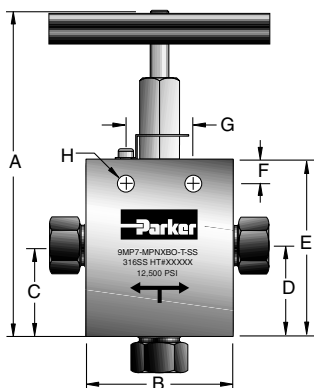
Panel Hole Sizes
Medium Pressure Needle Valve Panel Mount



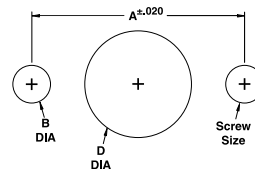
VALVE SIZE	A	B	SCREW SIZE	D
4 & 6	1.25	.219	10 - 32	.75
8 & 9	1.375	.219	10 - 32	1.00
12	1.75	2.19	10 - 32	1.19
16	2.50	.219	10 - 32	1.63

TUBING	PARKER PART NO.	PSI	CONNECTION	INCHES									
				ORIFICE	A	B	C	D	E	F	G	H	TH'K
1/4" O.D.	4MP7-MPNXBI-T-SS	15,000	1/4" MPI	0.125	5.21	2.50	1.21	1.65	2.84	0.38	1.25	0.22	1.00
3/8" O.D.	6MP7-MPNXBI-T-SS	15,000	3/8" MPI	0.203	5.21	2.50	1.21	1.65	2.84	0.38	1.25	0.22	1.00
1/2" O.D.	8MP7-MPNXBI-T-SS	15,000	1/2" MPI	0.313	7.09	3.00	1.50	2.12	3.88	0.50	1.38	0.34	1.38
9/16" O.D.	9MP7-MPNXBI-T-SS	15,000	9/16" MPI	0.313	7.09	3.00	1.50	2.12	3.88	0.50	1.38	0.34	1.38
3/4" O.D.	12MP7-MPNXBI-T-SS	15,000	3/4" MPI	0.438	7.88	3.00	2.63	2.38	4.63	0.63	1.75	0.44	1.38
3/4" O.D.	12MP7-MPNXBHI-T-SS	10,000	3/4" MPI	0.516	7.88	3.00	2.63	2.38	4.63	0.63	1.75	0.44	1.38
1" O.D.	16MP7-MPNXBI-T-SS	12,500	1" MPI	0.563	9.75	4.13	2.13	3.06	5.88	1.13	2.50	0.56	1.75
1" O.D.	16MP7-MPNXBHI-T-SS	10,000	1" MPI	0.688	9.75	4.13	2.13	3.06	5.88	1.13	2.50	0.56	1.75

Three Way/One Pressure Connection



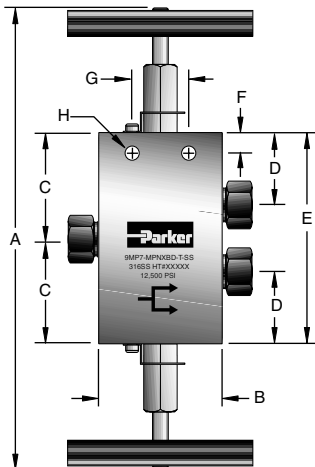
Panel Hole Sizes
Medium Pressure Needle Valve Panel Mount



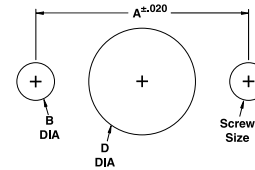
VALVE SIZE	A	B	SCREW SIZE	D
4 & 6	1.25	.219	10 - 32	.75
8 & 9	1.375	.219	10 - 32	1.00
12	1.75	2.19	10 - 32	1.19
16	2.50	.219	10 - 32	1.63

TUBING	PARKER PART NO.	PSI	CONNECTION	INCHES									
				ORIFICE	A	B	C	D	E	F	G	H	TH'K
1/4" O.D.	4MP7-MPNXBO-T-SS	15,000	1/4" MPI	0.125	5.02	2.50	1.38	1.38	2.57	0.38	1.25	0.22	1.00
3/8" O.D.	6MP7-MPNXBO-T-SS	15,000	3/8" MPI	0.203	5.02	2.50	1.38	1.38	2.57	0.38	1.25	0.22	1.00
1/2" O.D.	8MP7-MPNXBO-T-SS	15,000	1/2" MPI	0.313	6.84	3.00	1.88	1.88	3.63	0.50	1.38	0.34	1.38
9/16" O.D.	9MP7-MPNXBO-T-SS	15,000	9/16" MPI	0.313	6.84	3.00	1.88	1.88	3.63	0.50	1.38	0.34	1.38
3/4" O.D.	12MP7-MPNXBO-T-SS	15,000	3/4" MPI	0.438	7.50	3.00	2.00	2.00	4.25	0.63	1.75	0.44	1.38
3/4" O.D.	12MP7-MPNXBOH-T-SS	10,000	3/4" MPI	0.516	7.50	3.00	2.00	2.00	4.25	0.63	1.75	0.44	1.38
1" O.D.	16MP7-MPNXBO-T-SS	12,500	1" MPI	0.563	9.38	4.13	2.63	2.63	5.44	1.13	2.50	0.56	1.75
1" O.D.	16MP7-MPNXBOH-T-SS	10,000	1" MPI	0.688	9.38	4.13	2.63	2.63	5.44	1.13	2.50	0.56	1.75

Three Way/Two Stem Connection



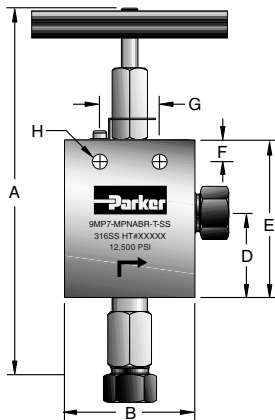
Panel Hole Sizes
Medium Pressure Needle Valve Panel Mount



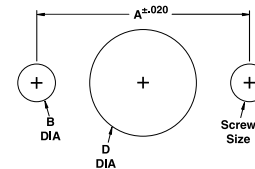
VALVE SIZE	A	B	SCREW SIZE	D
4 & 6	1.25	.219	10 - 32	.75
8 & 9	1.375	.219	10 - 32	1.00
12	1.75	2.19	10 - 32	1.19
16	2.50	.219	10 - 32	1.63

TUBING	PARKER PART NO.	PSI	CONNECTION	INCHES									
				ORIFICE	A	B	C	D	E	F	G	H	TH'K
1/4" O.D.	4MP7-MPNXBD-T-SS	15,000	1/4" MPI	0.125	5.75	2.50	1.70	1.19	3.38	0.38	1.25	0.22	1.00
3/8" O.D.	6MP7-MPNXBD-T-SS	15,000	3/8" MPI	0.203	5.75	2.50	1.70	1.19	3.38	0.38	1.25	0.22	1.00
1/2" O.D.	8MP7-MPNXBD-T-SS	12,500	1/2" MPI	0.313	8.38	3.00	2.56	1.75	5.13	0.50	1.38	0.34	1.38
9/16" O.D.	9MP7-MPNXBD-T-SS	12,500	9/16" MPI	0.313	8.38	3.00	2.56	1.75	5.13	0.50	1.38	0.34	1.38
3/4" O.D.	12MP7-MPNXBD-T-SS	15,000	3/4" MPI	0.438	9.75	3.00	3.25	2.25	6.50	0.63	1.75	0.44	1.38
3/4" O.D.	12MP7-MPNXBDH-T-SS	10,000	3/4" MPI	0.516	9.75	3.00	3.25	2.25	6.50	0.63	1.75	0.44	1.38
1" O.D.	16MP7-MPNXBD-T-SS	12,500	1" MPI	0.563	12.19	4.13	4.13	2.81	8.25	1.13	2.50	0.56	1.75
1" O.D.	16MP7-MPNXBDH-T-SS	10,000	1" MPI	0.688	12.19	4.13	4.13	2.81	8.25	1.13	2.50	0.56	1.75

Two Way Angle Valves (Replaceable Seat)



Panel Hole Sizes
Medium Pressure Needle Valve Panel Mount

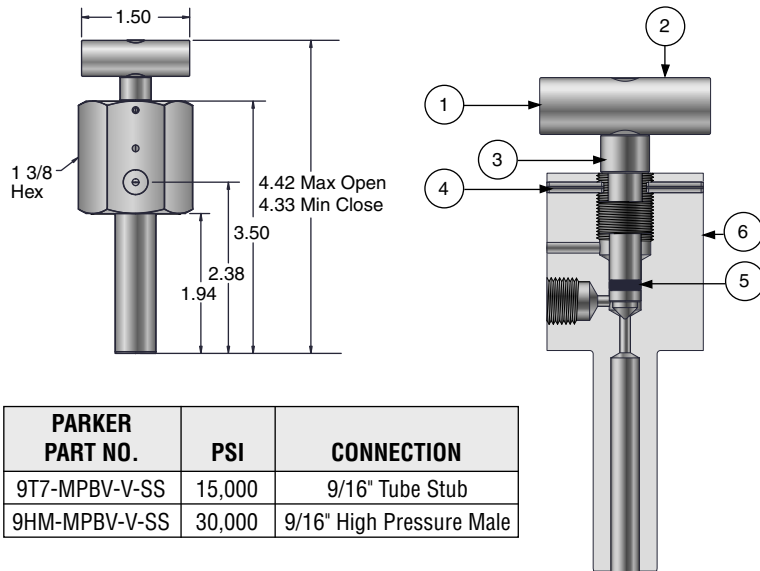


VALVE SIZE	A	B	SCREW SIZE	D
4 & 6	1.25	.219	10 - 32	.75
8 & 9	1.375	.219	10 - 32	1.00
12	1.75	2.19	10 - 32	1.19
16	2.50	.219	10 - 32	1.63

TUBING	PARKER PART NO.	PSI	CONNECTION	INCHES									
				ORIFICE	A	B	C	D	E	F	G	H	TH'K
1/4" O.D.	4MP7-MPNABR-T-SS	15,000	1/4" MPI	0.125	5.87	2.50	-	1.38	2.57	0.38	1.25	0.22	1.00
3/8" O.D.	6MP7-MPNABR-T-SS	15,000	3/8" MPI	0.203	5.87	2.50	-	1.38	2.57	0.38	1.25	0.22	1.00
1/2" O.D.	8MP7-MPNABR-T-SS	15,000	1/2" MPI	0.313	8.25	3.00	-	2.00	3.63	0.50	1.38	0.34	1.38
9/16" O.D.	9MP7-MPNABR-T-SS	15,000	9/16" MPI	0.313	8.25	3.00	-	2.00	3.63	0.50	1.38	0.34	1.38
3/4" O.D.	12MP7-MPNABR-T-SS	15,000	3/4" MPI	0.438	8.88	3.00	-	2.00	4.25	0.63	1.75	0.44	1.38
3/4" O.D.	12MP7-MPNABRH-T-SS	10,000	3/4" MPI	0.516	8.88	3.00	-	2.00	4.25	0.63	1.75	0.44	1.38
1" O.D.	16MP7-MPNABR-T-SS	12,500	1" MPI	0.563	11.13	4.13	-	2.56	5.44	1.13	2.50	0.56	1.75
1" O.D.	16MP7-MPNABRH-T-SS	10,000	1" MPI	0.688	11.13	4.13	-	2.56	5.44	1.13	2.50	0.56	1.75



Bleed Valve

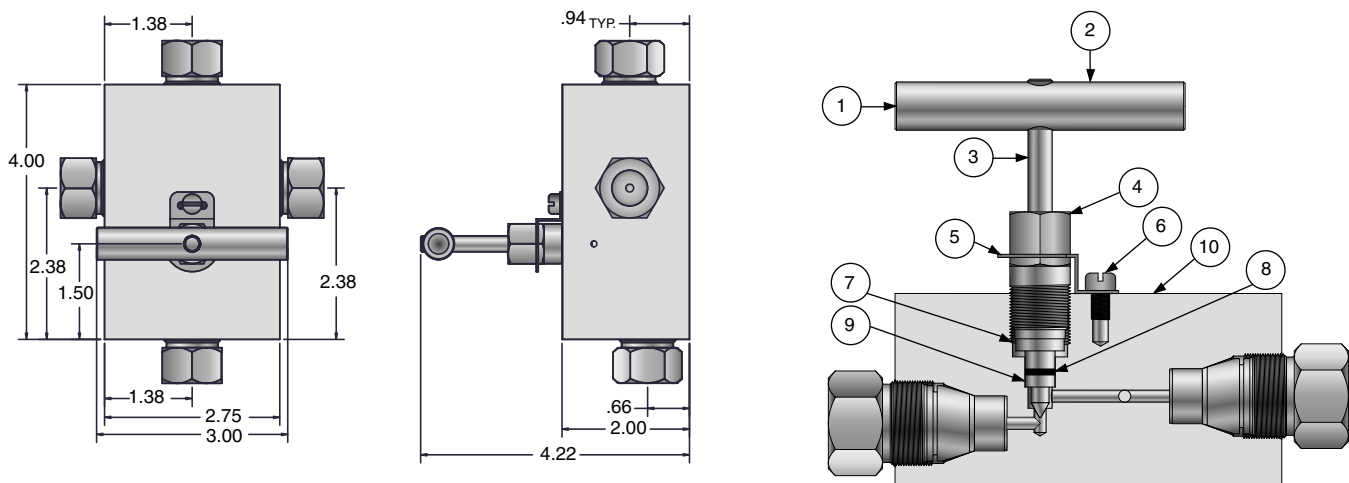


PARKER PART NO.	PSI	CONNECTION
9T7-MPBV-V-SS	15,000	9/16" Tube Stub
9HM-MPBV-V-SS	30,000	9/16" High Pressure Male

Materials of Construction

Item #	Qty	Description	Material
1	1	Soc Set Screw	300 Ser. SS
2	1	Handle	Aluminum
3	1	Stem	17-4PH-H900
4	2	Rolling Pin	420SS
5	1	O-Ring	Fluorocarbon Rubber
6	1	Body	316SS

Gauge Valve



PARKER PART NO.	PSI	CONNECTION
9MP7-MPGV-V-SS	15,000	9/16" MPI™
9HF-MPGV-V-SS	30,000	9/16" High Pressure Female

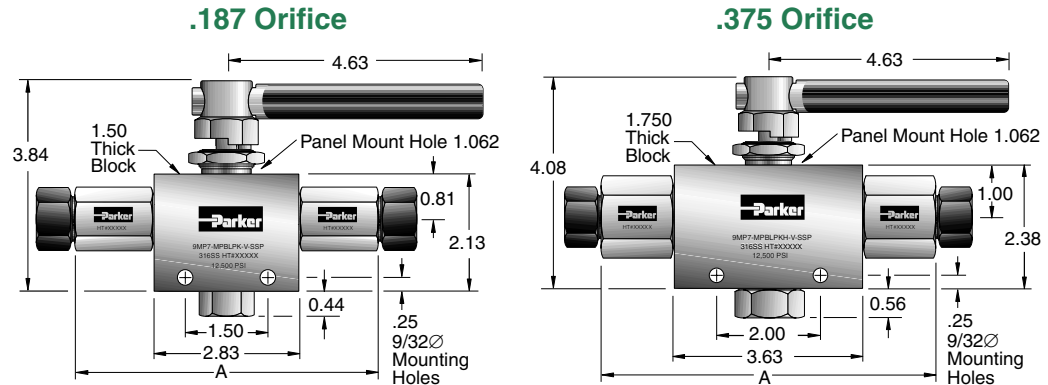
Materials of Construction

Item #	Qty	Description	Material
1	1	Soc Set Screw	Steel
2	1	Handle	Aluminum
3	1	Stem Assembly	17-4PH
4	1	Packing Gland	316SS
5	1	Locking Devise	300 Ser SS
6	1	10-32 x 1/4 Fill Hd Scr.	300 Ser SS
7	1	Top Packing Washer	416SS
8	1	Packing	Fluorocarbon Rubber
9	1	Bottom Packing Washer	316SS
10	1	Body	316SS

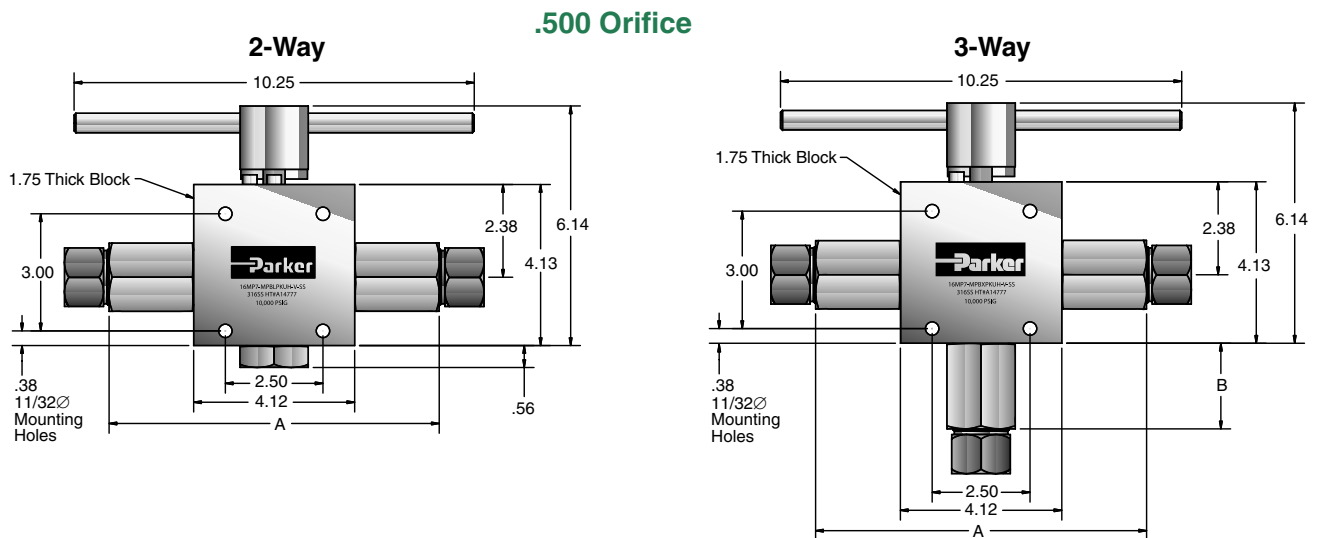
Introduction

Parker MPB series manually, pneumatically and electrically actuated 2-way and 3-way ball valves are designed for 1/4 and 1/2 turn media shutoff or switching applications up to 20,000 psi. Our trunion style ball design and spring loaded seats make the MPB series ideal for severe service applications. The end connector design enables a variety of end connections and combinations for specific customer applications.

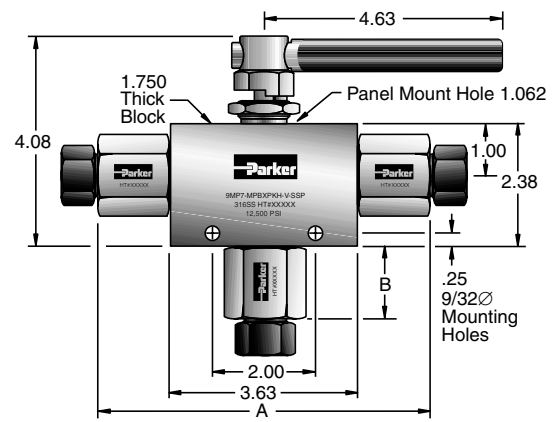
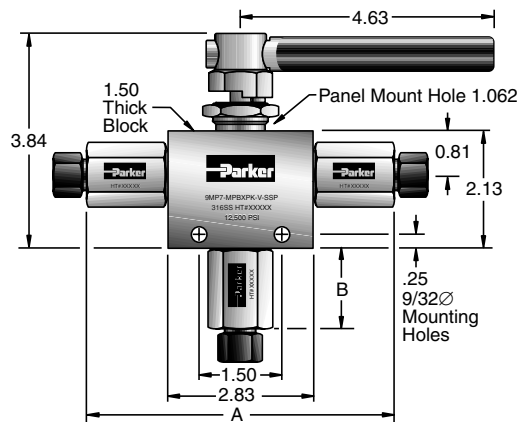
Two Way Ball Valves



TUBING	PARKER PART NO.	PSI	CONNECTION	INCHES			
				ORIFICE	MINIMUM ORIFICE	C _v	A
1/8" O.D.	2F-MPBLPK-V-SSP	15,000	1/8" NPT	0.187	0.187	1.45	4.63
1/4" O.D.	4F-MPBLPK-V-SSP	15,000	1/4" NPT	0.187	0.187	1.45	4.63
1/4" O.D.	4MP7-MPBLPK-V-SSP	15,000	1/4" MPI	0.187	0.125	0.45	5.00
3/8" O.D.	6F-MPBLPK-V-SSP	15,000	3/8" NPT	0.187	0.187	1.45	4.65
3/8" O.D.	6MP7-MPBLPK-V-SSP	15,000	3/8" MPI	0.187	0.187	1.45	5.00
1/2" O.D.	8MP7-MPBLPK-V-SSP	15,000	1/2" MPI	0.187	0.187	1.45	5.50
9/16" O.D.	9MP7-MPBLPK-V-SSP	15,000	9/16" MPI	0.187	0.187	1.45	5.50
1/2" O.D.	8F-MPBLPKH-V-SSP	15,000	1/2" NPT	0.375	0.375	6.08	5.63
1/2" O.D.	8MP7-MPBLPKH-V-SSP	15,000	1/2" MPI	0.375	0.359	5.82	6.44
9/16" O.D.	9MP7-MPBLPKH-V-SSP	15,000	9/16" MPI	0.375	0.359	5.82	6.44
3/4" O.D.	12MP7-MPBLPKH-V-SSP	15,000	3/4" MPI	0.375	0.375	6.08	6.67
1" O.D.	16MP7-MPBLPKH-V-SSP	12,500	1" MPI	0.375	0.375	6.08	7.45
3/4" O.D.	12 MP7-MPBLPKUH-V-SSP	10,000	3/4" MPI	0.500	0.469	7.60	6.86
1" O.D.	16MP7-MPBLPKUH-V-SSP	10,000	1" MPI	0.500	0.500	8.80	8.48



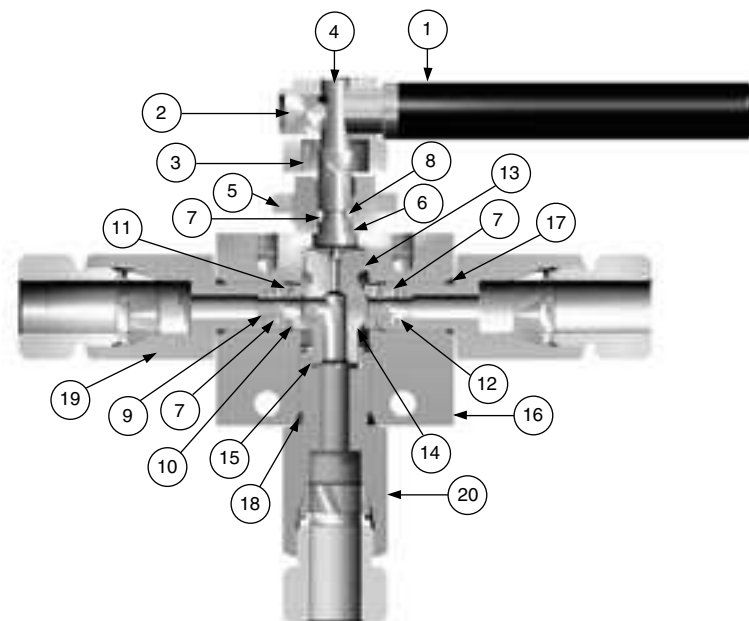
Three Way Ball Valves



TUBING	3-WAY 90 DEGREES	3-WAY 180 DEGREES	PSI	CONNECTION	INCHES				
					ORIFICE	MINIMUM ORIFICE	C _v	A	B
1/8" O.D.	2F-MPBXPKD-V-SSP	2F-MPBXPK-V-SSP	15,000	1/8" NPT	0.187	0.187	0.71	4.63	0.50
1/4" O.D.	4F-MPBXPKD-V-SSP	4F-MPBXPK-V-SSP	15,000	1/4" NPT	0.187	0.187	0.71	4.63	1.06
1/4" O.D.	4MP7-MPBXPKD-V-SSP	4MP7-MPBXPK-V-SSP	15,000	4MP7	0.187	0.125	0.18	5.00	1.18
3/8" O.D.	6F-MPBXPKD-V-SSP	6F-MPBXPK-V-SSP	15,000	3/8" NPT	0.187	0.187	0.71	4.65	1.06
3/8" O.D.	6MP7-MPBXPKD-V-SSP	6MP7-MPBXPK-V-SSP	15,000	6MP7	0.187	0.187	0.71	5.00	1.18
1/2" O.D.	8MP7-MPBXPKD-V-SSP	8MP7-MPBXPK-V-SSP	15,000	8MP7	0.187	0.187	0.71	5.50	1.44
9/16" O.D.	9MP7-MPBXPKD-V-SSP	9MP7-MPBXPK-V-SSP	15,000	9MP7	0.187	0.187	0.71	5.50	1.44
1/2" O.D.	8F-MPBXPKDH-V-SSP	8F-MPBXPKH-V-SSP	15,000	1/2" NPT	0.375	0.375	2.40	5.63	1.06
1/2" O.D.	8MP7-MPBXPKDH-V-SSP	8MP7-MPBXPKH-V-SSP	15,000	8MP7	0.375	0.359	2.30	6.44	1.37
9/16" O.D.	9MP7-MPBXPKDH-V-SSP	9MP7-MPBXPKH-V-SSP	15,000	9MP7	0.375	0.359	2.30	6.44	1.37
3/4" O.D.	12MF-MPBXPKDH-V-SSP	12MF-MPBXPKH-V-SSP	15,000	12MF	0.375	0.375	2.40	6.67	1.18
1" O.D.	16MF-MPBXPKDH-V-SSP	16MF-MPBXPKH-V-SSP	15,000	16MF	0.375	0.375	2.40	7.45	1.99
3/4" O.D.	12MP7-MPBXPKDUH-V-SSP	12MP7-MPBXPKUH-V-SSP	10,000	3/4" MPI	0.500	0.469	3.20	6.86	1.37
1" O.D.	16MP7-MPBXPKDUH-V-SSP	16MP7-MPBXPKUH-V-SSP	10,000	1" MPI	0.500	0.500	3.80	8.48	2.18

Locking Devices – Add suffix “-LD” to the end of the part number.

Example: 9MP7-MPBLPKH-V-SS-LD



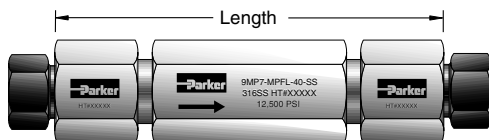
Materials of Construction

Item #	Description	Material
1	Handle	300 SER. SS
2	Set Screw	17-4PH-H900
3	Stop Collar, 180 Degree	300 SER. SS
4	Stem	17-4PH-H900
5	Panel Nut	300 SER. SS
6	Bearing Washer	Peek/30% Glass
7	O-ring	Fluorocarbon Rubber
8	Back Up Ring	PTFE
9	Ball Seat Assembly	316SS/Arlon
10	Belleville Washer	302SS
11	Packing Washer	316SS
12	Back Up Washer	PTFE
13	Body Bushing	Ampco 45
14	Trunion, 180 Degree	316SS
15	Bottom Bushing	Ampco 45
16	Body	316SS
17	O-ring	Fluorocarbon Rubber
18	O-ring	Fluorocarbon Rubber
19	Seat Gland	316SS
20	Bottom Gland	316SS

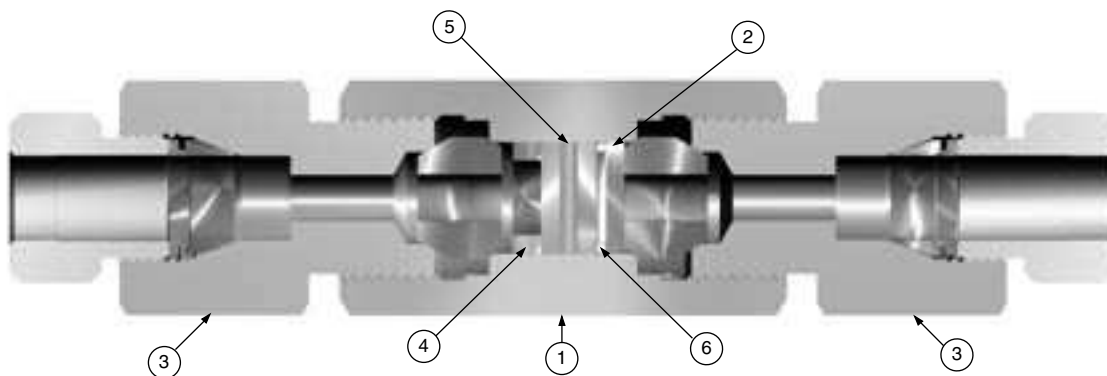
Introduction

Parker MPF series filters utilize sintered stainless steel filter discs to trap particles from 0.5 to 100 micron sizes. Inline filters help protect valuable equipment in the process line.

Inline Filters



TUBING	PARKER PART NO.	PSI	CONNECTION	INCHES			FILTER MICRON SIZE AVAILABLE					
				ORIFICE	LENGTH	TH'K	0.05	2	5	10	40	100
1/4" O.D.	4MP7-MPFL-100-SS	15,000	1/4" MPI	0.125	5.25	1.38	*	*	*	*	*	*
3/8" O.D.	6MP7-MPFL-100-SS	15,000	3/8" MPI	0.219	5.25	1.38	*	*	*	*	*	*
1/2" O.D.	8MP7-MPFL-100-SS	15,000	1/2" MPI	0.359	5.25	1.38	*	*	*	*	*	*
9/16" O.D.	9MP7-MPFL-100-SS	15,000	9/16" MPI	0.359	5.25	1.38	*	*	*	*	*	*



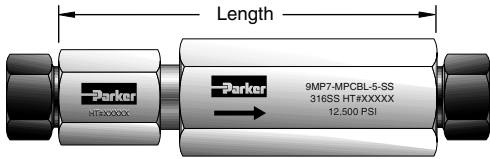
Materials of Construction

Item #	Description	Material
1	Cap	316SS
2	Sealing	316SS
3	Body	316SS
4	Spacer	316SS
5	100 Micron Filter Disc	316SS
6	O-ring	PTFE

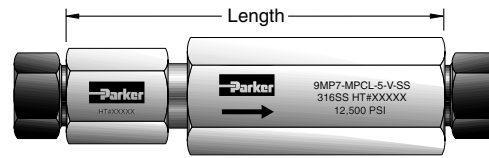
Introduction

Parker MPC and MPCB series check valves are designed for uni-directional flow control of fluids and gases up to 20,000 psi.

Ball Check Valves

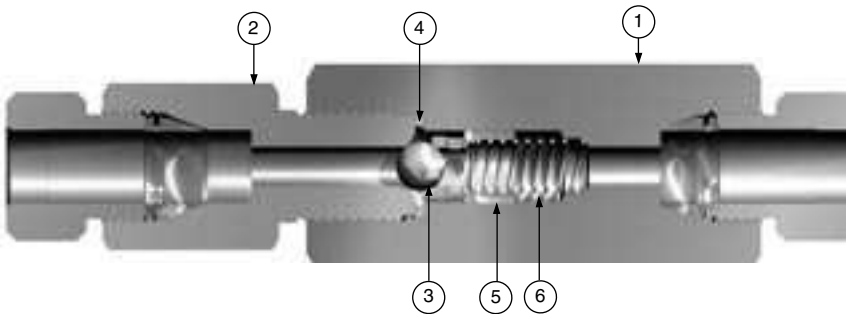


Poppet Check Valves



TUBING	BALL CHECK VALVE PART NO.	POPPET CHECK VALVE PART NO.	PSI	CONNECTION	INCHES		
					ORIFICE	LENGTH	TH'K
1/4" O.D.	4MP7-MPCBL-5-SS	4MP7-MPCL-5-V-SS	15,000	1/4" MPI	0.125	3.75	1.00
3/8" O.D.	6MP7-MPCBL-5-SS	6MP7-MPCL-5-V-SS	15,000	3/8" MPI	0.219	3.75	1.00
1/2" O.D.	8MP7-MPCBL-5-SS	8MP7-MPCL-5-V-SS	15,000	1/2" MPI	0.359	4.50	1.38
9/16" O.D.	9MP7-MPCBL-5-SS	9MP7-MPCL-5-V-SS	15,000	9/16" MPI	0.359	4.50	1.38
3/4" O.D.	12MP7-MPCBL-5-SS	12MP7-MPCL-5-V-SS	15,000	3/4" MPI	0.438	5.13	1.75
1" O.D.	16MP7-MPCBL-5-SS	16MP7-MPCL-5-V-SS	12,500	1" MPI	0.563	6.50	2.50

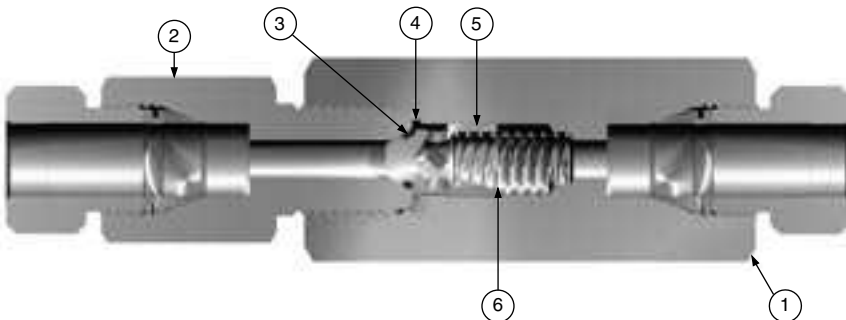
Ball Check Valves



Materials of Construction

Item #	Description	Material
1	Cap	316SS
2	Body	316SS
3	3/8 Ball	316SS
4	Gasket	316SS
5	Ball Support	316SS
6	Spring	316SS

Poppet Check Valves



Materials of Construction

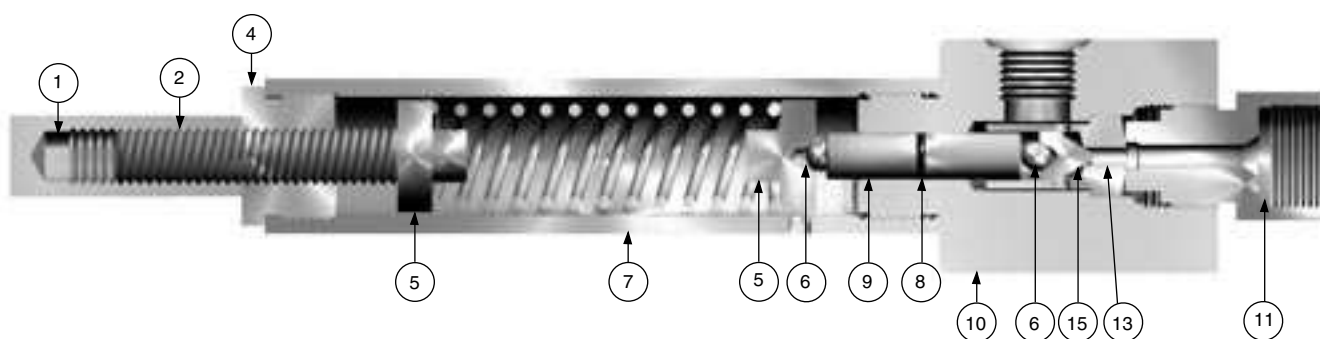
Item #	Description	Material
1	Cap	316SS
2	Body	316SS
3	O-ring	Fluorocarbon Rubber
4	Gasket	316SS
5	Poppet	316SS
6	Spring	316SS

Introduction

Parker MPR series relief valves are offered in preset pressure relief ranges from 1500 to 20,999 psi. Relief valves are tagged with the proper factory preset pressures.

Relief Valves (Factory Set)

PARKER PART NO.	PRESSURE RATING	CONNECTION	ORIFICE	MAX FLOW CAPACITY (GPM)
8M8F-MPRA-****-SS	1,500 to 2,999	1/2" M X F NPT	0.250	13
8M8F-MPRA-****-SS	3,000 to 10,999	1/2" M X F NPT	0.250	25
9HF8F-MPRA-****-SS	11,000 to 20,999	9HF X 1/2" NPTF	0.188	20



Materials of Construction

Item #	Qty	Description	Material
1	1	Cap	303SS
2	1	5/8-11 X 3 Soc Set Scr	304SS
3	1	Pressure Rating Tag	300 Ser. SS
4	1	Nut	303SS
5	2	Spring Seat	304SS
6	2	5/16 Ball	316SS
7	1	Spring Housing	304SS
8	1	O-Ring	Fluorocarbon Rubber
9	1	Stem	17-4PH-H1150
10	1	Body	316SS
11	1	Removable Seat Gland	316SS
13	1	Seal Ring 1500 to 2999	316SS
		Seal Ring 3000 to 10999	316SS
		Seal Ring 11000 to 20999	316SS
14	1	Danly Spring	Steel
15	1	Stem Seat	17-4PH-H900

Introduction

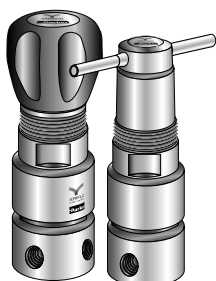
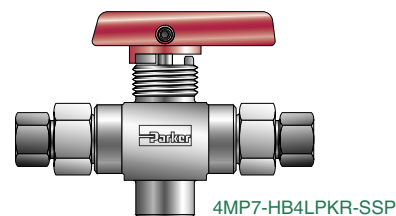
Parker HB4 Series Ball Valves are engineered and manufactured to provide reliable shut-off or switching functions. Their compact and rugged design incorporates spring-loaded seats for high cycle life and low operating torques at pressures up to 10,000 psi (689 bar). Every HB4 Series Ball Valve is manufactured with Parker SUPARCASE® trunnions and ball to resist corrosion, seizures, and particle abrasion.

SPECIFICATIONS:	
Pressure rating:	10,000 psi (689 bar) CWP with PEEK (PKR) Seats; 6,000 psi (414 bar) CWP with PCTFE (K) Seats
Body material:	204°C) Stainless Steel
Body configurations:	Two-way and Three-way
FLOW DATA:	
Two-way HB4L: $C_v = 1.02$; $x_T = 0.42$; Orifice = 0.188" (4.8 mm)	
Three-way HB4X: $C_v = 0.62$; $x_T = 0.71$; Orifice = 0.188" (4.8 mm)	

Tested in accordance with ISA S75.02. Gas flow will be choked when $P_1 - P_2 / P_1 = x_T$.

For additional information about the HB Series of Ball Valves, including flow data and pressure ratings, see Catalog 4121-HB or contact your authorized Parker Instrumentation Distributor or the Parker Hannifin Instrumentation Products Division at (256) 435-2130.

TUBING	PARKER PART NO. 2-WAY	PARKER PART NO. 3-WAY
1/4" O.D.	HB4PKR-SSP	4MP7-HB4XPKR-SSP
3/8" O.D.	HB6PKR-SSP	6MP7-HB4XPKR-SSP
9/16" O.D.	HB9PKR-SSP	9MP7-HB4XPKR-SSP



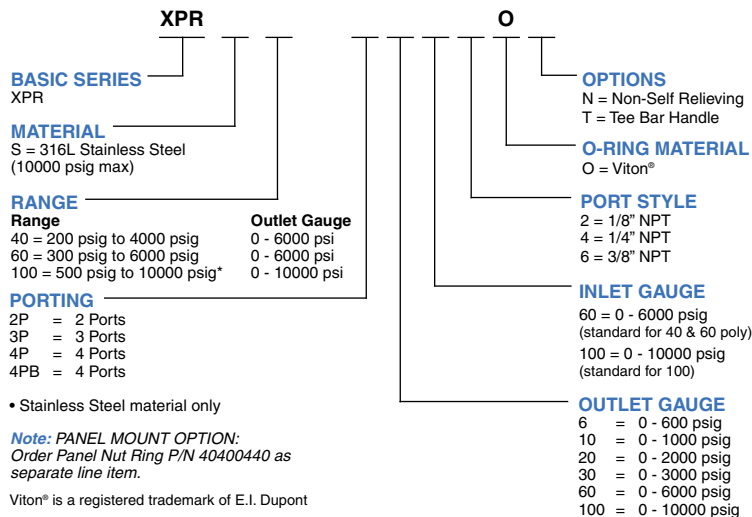
XPRS1002P6010040T

Medium Pressure Regulators

Introduction

Parker Hannifin XPR Series Medium Pressure Regulators safely reduce pressures from 10,000 psi inlet down to as low as 50 psi by utilizing seven different ranges. A new self-relieving feature is standard on all XPR Series regulators. For additional information about the XPR Series Medium Pressure Regulator, including specifications for inlet pressure and construction, see Catalog 4511 or contact your authorized Parker Instrumentation Distributor or the Parker Hannifin Veriflo Division at (510) 235-9590.

Ordering Information



FUNCTIONAL PERFORMANCE:	
Design Proof Pressure:	316L Stainless Steel 15,000 psi (1035 barg)
Design Burst Pressure:	316L Stainless Steel 30,000 psi (2070 barg)
Design Leak Rate:	Across Seat 1 x 10 ⁻⁴ scc/sec He Inboard 1 x 10 ⁻⁴ scc/sec He Outboard 1 x 10 ⁻⁴ scc/sec He Cv .07
Flow Capacity	(SEMI Flow Coefficient Test #F-32-0998)
Internal Volume:	Self-Relieving 0.853 in ³ (13.99 cm ³) Non-Self-Relieving 0.831 in ³ (13.62 cm ³)
Standard Connections:	1/8 NPT, 1/4 NPT
Approximate Weight:	6.5 lbs (3kg)



Introduction

Parker Hannifin **polyflex™** reinforced polymer hose is available in a wide variety of constructions, styles, and lengths to meet a vast number of industrial and offshore applications. Styles shown on these pages are compatible with Parker MPI™ Fittings and offer these benefits:

- Flexible with small outside diameter for tight routing
- Abrasion resistant polymer cover for longer life
- Chemical-resistant tube and cover
- Steel-reinforced styles resist kinks

TYPICAL APPLICATIONS:		
• Offshore oil and gas platforms and satellites	• Chemical injection lines	• Hydraulic controls
• Oilfield workover sites	• Pressure testing	• Waterblast cleaning

polyflex™ Hose



PARKER PART NO.	JACKET COLOR	MIN. I.D.	MAX. O.D.	MAX. WORKING PRESSURE	MIN. BURST PRESSURE	MIN. BEND RADIUS	WEIGHT
		INCH	INCH	PSI	PSI	INCH	LBS/FT
2020N-02V30	BLACK	0.12	0.24	9,280	23,200	1.18	0.05
2240D-025V34	RED	0.17	0.30	17,400	43,500	2.95	0.067
2245N-04V00	BLACK	0.25	0.50	10,440	26,100	2.76	0.17
2245N-04V02	BLUE	0.25	0.50	10,440	26,100	2.76	0.17
2245N-04V04	RED	0.25	0.50	10,440	26,100	2.76	0.17
2380N-04V00	BLACK	0.25	0.53	16,240	40,600	2.76	0.22
2380N-04V02	BLUE	0.25	0.53	16,240	40,600	2.76	0.22
2380N-04V04	RED	0.25	0.53	16,240	40,600	2.76	0.22
2380N-04V01	BLACK	0.25	0.53	16,240	40,600	2.76	0.22
2380N-04V33	GREEN	0.25	0.50	13,200	33,000	3.50	0.17
2390N-06V13	GREEN	0.4	0.70	10,300	25,810	3.00	0.28
2440N-08V37	GRAY	0.5	0.88	20,400	51,000	7.87	0.63
2440N-08V71	GRAY	0.5	0.88	20,400	51,000	7.87	0.63
2440N-12V37	GRAY	0.81	1.19	14,500	37,500	10.00	0.93
2440N-12V71	GRAY	0.81	1.19	14,500	37,500	10.00	0.93

Temperature range: -40° to +140°F (-40° to +60°C). Contact the factory for temperatures outside this range.

For additional information about **polyflex™** hose, including information about construction, typical applications, working pressure and installation, contact your authorized Parker Instrumentation Distributor or the Parker Hannifin **polyflex™** Hose headquarters at (281) 530-5300.

How to Order **polyflex™** Hose Assemblies

Example Hose Assembly Number: **2244NAYAY111108C10-XXX**

2244N	AY AY	11 11	08	C	10	- XXX																																															
Hose Base Number	End Connection Style	End Connection Size	Hose Size	Fitting Material	Hose Variation Number	Indicate Length in Inches																																															
<p>This series of numbers will indicate the hose base number.</p> <p>Examples:</p> <p>2040N - 02 2040N - 04</p> <p>2240D - 025 2245D - 03 2243D - 03</p> <p>2390N - 04 2390N - 06 2390N - 08 2390N - 12</p> <p>2440D - 025 2440D - 05 2440N - 08 2440N - 12</p> <p>2640N - 08 2640N - 12</p> <p>2740D - 03 2740D - 05</p> <p>2840D - 03</p>	<p>These two letters will indicate the STYLE of connection. End 1 & End 2</p> <p>01 = NPT Pipe, Male, Rigid 02 = NPT Pipe; Female Rigid 06 = JIC 37 degree.; Female Swivel 07 = NPSM Pipe; Female Swivel 60° 92 = BSP Pipe; Female Swivel AY = Type M; Female Swivel 58° YA = Type M; Male (adaptor ends) C9 = Metric; Female, Swivel 24/O-Ring D9 = BSP; Male, Rigid Y1 = MP Nipple; Male, w/GNut & Collar Y2 = MP Nipple; Male, wo/GNut & Collar Y3 = HP Nipple; Male, w/ GNut & Collar Y4 = HP Nipple; Male, wo/GNut & Collar Y5 = MP Flare; Male, Rigid Y6 = HP Flare; Male, Rigid 5Y = MP Flare; Female 6Y = HP Flare; Female</p>	<p>This part will contain a dash followed by a one or two digit number indicating the end connection size. End 1 & End 2</p> <p>UNF</p> <p>1 = 1/4" - 28 UNF 2 = 5/16" - 24 UNF 3 = 3/8" - 24 UNF 4 = 7/16" - 20 UNF 5 = 1/2" - 20 UNF 6 = 9/16" - 18 UNF 7 = 5/8" - 18 UNF 8 = 3/4" - UNF 9 = 10 = 7/8" - 14 UNF 11 = 1" - 12 UNF 12 = 1 1/16" - 12 UNF 13 = 1 1/8" - 12 UNF 14 = 15 = 1 1/4" - 12 UNF 16 = 1 5/16" - 12 UNF 17 = 1 3/8" - 12 UNF 18 = 19 = 1 1/2" - 12 UNF 20 = 1 5/8" - 12 UNF</p> <p>NPT</p> <p>1 = 1/16-27 2 = 1/8-27 4 = 1/4-18 6 = 3/8-18 8 = 1/2-14 12 = 3/4-14 16 = 1-11 1/2 20 = 1 1/4-11 1/2 24 = 1 1/2-11 1/2 32 = 2-11 1/2</p> <p>Medium and High Pressure Tube Male or female, sized by nominal tube O.D.</p> <p>04 = 1/4" tube 06 = 3/8" tube 09 = 9/16" tube 12 = 3/4" tube 16 = 1" tube</p>	<p>When specifying hose size, indicate the two digit code.</p> <table border="1"> <thead> <tr> <th>Hose Size</th> <th>Dash</th> <th>Code</th> </tr> </thead> <tbody> <tr><td>01</td><td></td><td>01</td></tr> <tr><td>015</td><td></td><td>1A</td></tr> <tr><td>02</td><td></td><td>02</td></tr> <tr><td>025</td><td></td><td>2B</td></tr> <tr><td>03</td><td></td><td>03</td></tr> <tr><td>04</td><td></td><td>04</td></tr> <tr><td>05</td><td></td><td>05</td></tr> <tr><td>06</td><td></td><td>06</td></tr> <tr><td>08</td><td></td><td>08</td></tr> <tr><td>10</td><td></td><td>10</td></tr> <tr><td>12</td><td></td><td>12</td></tr> <tr><td>16</td><td></td><td>16</td></tr> <tr><td>20</td><td></td><td>20</td></tr> <tr><td>24</td><td></td><td>24</td></tr> <tr><td>32</td><td></td><td>32</td></tr> </tbody> </table>	Hose Size	Dash	Code	01		01	015		1A	02		02	025		2B	03		03	04		04	05		05	06		06	08		08	10		10	12		12	16		16	20		20	24		24	32		32	<p>Indicate the fitting material. S = Steel B = Brass C = Stainless Steel</p>	<p>This series of numbers will indicate the hose Variation Number.</p> <p>Examples:</p> <p>2040N - 02 V00 2020N - 02 V30</p> <p>2240D - 025 V34 2245N - 16 V30 2245N - 20 V30 2244N - 025 V00 2244N - 08 V10</p> <p>2380N - 04 V33 2380N - 04 V00 2380N - 05 V00</p> <p>2440N - 08 V37 2440N - 12 V37 2440N - 16 V37</p> <p>2640D - 025 V32 2640N - 12 V32</p> <p>2740D - 03 V30 2740D - 05 V32</p> <p>2840D - 03 V34</p>
Hose Size	Dash	Code																																																			
01		01																																																			
015		1A																																																			
02		02																																																			
025		2B																																																			
03		03																																																			
04		04																																																			
05		05																																																			
06		06																																																			
08		08																																																			
10		10																																																			
12		12																																																			
16		16																																																			
20		20																																																			
24		24																																																			
32		32																																																			

The items described in this document and other documents or descriptions provided by Parker Hannifin Corporation, its subsidiaries and its authorized distributors are hereby offered for sale at prices to be established by Parker Hannifin Corporation, its subsidiaries and its authorized distributors. This offer and its acceptance by any customer ("Buyer") shall be governed by all of the following Terms and Conditions. Buyer's order for any such items, when communicated to Parker Hannifin Corporation, its subsidiary or an authorized distributor ("Seller") verbally or in writing, shall constitute acceptance of this offer.

1. Terms and Conditions of Sale: All descriptions, quotations, proposals, offers, acknowledgments, acceptances and sales of Seller's products are subject to and shall be governed exclusively by the terms and conditions stated herein. Buyer's acceptance of any offer to sell is limited to these terms and conditions. Any terms or conditions in addition to, or inconsistent with those stated herein, proposed by Buyer in any acceptance of an offer by Seller, are hereby objected to. No such additional, different or inconsistent terms and conditions shall become part of the contract between Buyer and Seller unless expressly accepted in writing by Seller. Seller's acceptance of any offer to purchase by Buyer is expressly conditional upon Buyer's assent to all the terms and conditions stated herein, including any terms in addition to, or inconsistent with those contained in Buyer's offer. Acceptance of Seller's products shall in all events constitute such assent.

2. Payment: Payment shall be made by Buyer net 30 days from the date of delivery of the items purchased hereunder. Amounts not timely paid shall bear interest at the maximum rate permitted by law for each month or portion thereof that the Buyer is late in making payment. Any claims by Buyer for omissions or shortages in a shipment shall be waived unless Seller receives notice thereof within 30 days after Buyer's receipt of the shipment.

3. Delivery: Unless otherwise provided on the face hereof, delivery shall be made F.O.B. Seller's plant. Regardless of the method of delivery, however, risk of loss shall pass to Buyer upon Seller's delivery to a carrier. Any delivery dates shown are approximate only and Seller shall have no liability for any delays in delivery.

4. Warranty: Seller warrants that items sold hereunder shall be free from defects in material or workmanship. **THIS WARRANTY COMPRISES THE SOLE AND ENTIRE WARRANTY PERTAINING TO ITEMS PROVIDED HEREUNDER. SELLER MAKES NO OTHER WARRANTY, GUARANTEE, OR REPRESENTATION OF ANY KIND WHATSOEVER. ALL OTHER WARRANTIES, INCLUDING BUT NOT LIMITED TO, MERCHANTABILITY AND FITNESS FOR PURPOSE, WHETHER EXPRESS, IMPLIED, OR ARISING BY OPERATION OF LAW, TRADE USAGE, OR COURSE OF DEALING ARE HEREBY DISCLAIMED.**

NOTWITHSTANDING THE FOREGOING, THERE ARE NO WARRANTIES WHATSOEVER ON ITEMS BUILT OR ACQUIRED WHOLLY OR PARTIALLY, TO BUYER'S DESIGNS OR SPECIFICATIONS.

5. Limitation Of Remedy: SELLER'S LIABILITY ARISING FROM OR IN ANY WAY CONNECTED WITH THE ITEMS SOLD OR THIS CONTRACT SHALL BE LIMITED EXCLUSIVELY TO REPAIR OR REPLACEMENT OF THE ITEMS SOLD, AT SELLER'S SOLE OPTION. IN NO EVENT SHALL SELLER BE LIABLE FOR ANY INCIDENTAL, CONSEQUENTIAL OR SPECIAL DAMAGES OF ANY KIND OR NATURE WHATSOEVER, INCLUDING BUT NOT LIMITED TO LOST PROFITS ARISING FROM OR IN ANY WAY CONNECTED WITH THIS AGREEMENT OR ITEMS SOLD HEREUNDER, WHETHER ALLEGED TO ARISE FROM BREACH OF CONTRACT, EXPRESS OR IMPLIED WARRANTY, OR IN TORT, INCLUDING WITHOUT LIMITATION, NEGLIGENCE, FAILURE TO WARN OR STRICT LIABILITY.

6. Changes, Reschedules and Cancellations: Buyer may request to modify the designs or specifications for the items sold hereunder as well as the quantities and delivery dates thereof, or may request to cancel all or part of this order, however, no such requested modification or cancellation shall become part of the contract between Buyer and Seller unless accepted by Seller in a written amendment to this Agreement. Acceptance of any such requested modification or cancellation shall be at Seller's discretion, and shall be upon such terms and conditions as Seller may require.

7. Special Tooling: A tooling charge may be imposed for any special tooling, including without limitation, dies, fixtures, molds and patterns, acquired to manufacture items sold pursuant to this contract. Such special tooling shall be and remain Seller's property notwithstanding payment of any charges by Buyer. In no event will Buyer acquire any interest in apparatus belonging to Seller which is utilized in the manufacture of the items sold hereunder, even if such apparatus has been specially converted or adapted for such manufacture and not withstanding any charges paid by Buyer. Unless otherwise agreed, Seller shall have the right to alter, discard or otherwise dispose of any special tooling or other property in its sole discretion at any time.

8. Buyer's Property: Any designs, tools, patterns, materials, drawings, confidential information or equipment furnished by Buyer or any other items which become Buyer's property, may be considered obsolete and may be destroyed by Seller after two (2) consecutive years have elapsed without Buyer placing an order for the items which are manufactured using such property, Seller shall not be responsible for any loss or damage to such property while it is in Seller's possession or control.

9. Taxes: Unless otherwise indicated on the face hereof, all prices and charges are exclusive of excise, sales, use, property, occupational or like taxes which may be imposed by any taxing authority upon the manufacture, sale or delivery of the items sold hereunder. If any such taxes must be paid by Seller or if Seller is liable for the collection of such tax, the amount thereof shall be in addition to the amounts for the items sold. Buyer agrees to pay all such taxes or to reimburse Seller therefore upon receipt of its invoice. If Buyer claims exemption from any sales, use or other tax imposed by any taxing authority, Buyer shall save Seller harmless from and against any such tax, together with any interest or penalties thereon which may be assessed if the items are held to be taxable.

10. Indemnity For Infringement of Intellectual Property Rights: Seller shall have no liability for infringement of any patents, trademarks, copyrights, trade dress, trade secrets or similar rights except as provided in this Part 10. Seller will defend and indemnify Buyer against allegations of infringement of U.S. Patents, U.S. Trademarks, copyrights, trade dress and trade secrets (hereinafter 'Intellectual Property Rights'). Seller will defend at its expense and will pay the cost of any settlement or damages awarded in an action brought against Buyer based on an allegation that an item sold pursuant to this contract infringes the Intellectual Property Rights of a third party. Seller's obligation to defend and indemnify Buyer is contingent on Buyer notifying Seller within ten (10) days after Buyer becomes aware of such allegations of infringement, and Seller having sole control over the defense of any allegations or actions including all negotiations for settlement or compromise. If an item sold hereunder is subject to a claim that it infringes the Intellectual Property Rights of a third party, Seller may, at its sole expense and option, procure for Buyer the right to continue using said item, replace or modify said item so as to make it noninfringing, or offer to accept return of said item and return the purchase price less a reasonable allowance for depreciation. Notwithstanding the foregoing, Seller shall have no liability for claims of infringement based on information provided by Buyer, or directed to items delivered hereunder for which the designs are specified in whole or part by Buyer, or infringements resulting from the modification, combination or use in a system of any item sold hereunder. The foregoing provisions of this Part 10 shall constitute Seller's sole and exclusive liability and Buyer's sole and exclusive remedy for infringement of Intellectual Property Rights.

If a claim is based on information provided by Buyer or if the design for an item delivered hereunder is specified in whole or in part by Buyer, Buyer shall defend and indemnify Seller for all costs, expenses or judgments resulting from any claim that such item infringes any patent, trademark, copyright, trade dress, trade secret or any similar right.

11. Force Majeure: Seller does not assume the risk of and shall not be liable for delay or failure to perform any of Seller's obligations by reason of circumstances beyond the reasonable control of Seller (hereinafter 'Events of Force Majeure'). Events of Force Majeure shall include without limitation, accidents, acts of God, strikes or labor disputes, acts, laws, rules or regulations of any government or government agency, fires, floods, delays or failures in delivery of carriers or suppliers, shortages of materials and any other cause beyond Seller's control.

12. Entire Agreement/Governing Law: The terms and conditions set forth herein, together with any amendments, modifications and any different terms or conditions expressly accepted by Seller in writing, shall constitute the entire Agreement concerning the items sold, and there are no oral or other representations or agreements which pertain thereto. This Agreement shall be governed in all respects by the law of the State of Ohio. No actions arising out of the sale of the items sold hereunder or this Agreement may be brought by either party more than two (2) years after the cause of action accrues.

11/98-P



Parker Hannifin Corporation
6035 Parkland Blvd.
Cleveland, Ohio 44124-4141
Telephone: (216) 896-3000
Fax: (216) 896-4000
www.parker.com

Parker Hannifin Corporation

About Parker Hannifin Corporation

Parker Hannifin is a leading global motion-control company dedicated to delivering premier customer service. A Fortune 500 corporation listed on the New York Stock Exchange (PH), our components and systems comprise over 1,400 product lines that control motion in some 1,000 industrial and aerospace markets. Parker is the only manufacturer to offer its customers a choice of hydraulic, pneumatic, and electromechanical motion-control solutions. Our company has the largest distribution network in its field, with over 7,500 distributors serving nearly 400,000 customers worldwide.

Parker's Charter

To be a leading worldwide manufacturer of components and systems for the builders and users of durable goods. More specifically, we will design, market and manufacture products controlling motion, flow and pressure. We will achieve profitable growth through premier customer service.

Product Information

North American customers seeking product information, the location of a nearby distributor, or repair services will receive prompt attention by calling the Parker Product Information Center at our toll-free number: 1-800-C-PARKER (1-800-272-7537). In Europe, call 00800-C-PARKER-H (00800-2727-5374).

The Aerospace Group

is a leader in the development, design, manufacture and servicing of control systems and components for aerospace and related high-technology markets, while achieving growth through premier customer service.



The Climate & Industrial Controls Group

designs, manufactures and markets system-control and fluid-handling components and systems to refrigeration, air-conditioning and industrial customers worldwide.



The Fluid Connectors

Group designs, manufactures and markets rigid and flexible connectors, and associated products used in pneumatic and fluid systems.



The Seal Group designs, manufactures and distributes industrial and commercial sealing devices and related products by providing superior quality and total customer satisfaction.



The Hydraulics Group

designs, produces and markets a full spectrum of hydraulic components and systems to builders and users of industrial and mobile machinery and equipment.



The Filtration Group

designs, manufactures and markets quality filtration and clarification products, providing customers with the best value, quality, technical support, and global availability.



The Automation Group

is a leading supplier of pneumatic and electromechanical components and systems to automation customers worldwide.



The Instrumentation

Group is a global leader in the design, manufacture and distribution of high-quality critical flow components for worldwide process instrumentation, ultra-high-purity, medical and analytical applications.



Parker Hannifin Corporation
Instrumentation Products Division
P.O. Box 400004-1504
Huntsville, AL 35815-1504
USA
Phone: (256) 881-2040
Fax: (256) 881-5072
www.parker.com/ipdus

Parker Hannifin Corporation
Instrumentation Products Division
2651 Alabama Highway 21 North
Jacksonville, AL 36265-9681
USA
Phone: (256) 435-2130
Fax: (256) 435-7718
www.parker.com/ipdus

Parker Hannifin Corporation
Veriflo Division
250 Canal Boulevard
P.O. Box 4034
Richmond, CA 94804-0034
USA
Phone: (510) 235-9590
Fax: (510) 232-7396
www.veriflo.com

Parker Hannifin Corporation
Parflex Division **polyflex**[™] Operation
12840 Sugar Ridge Boulevard
Stafford, TX 77477
USA
Phone: (281) 530-5300
Fax: (281) 530-5353
www.parker.com

Parker Hannifin plc
Instrumentation Products Division
Riverside Road
Pottington Business Park
Barnstaple, Devon EX31 1NP
England
Phone: +44 (0)1271 313131
Fax: +44 (0)1271 373636
Email: ipd@parker.com
www.parker.com/ipd



Catalog 4234, 15M, 08/05 MP